



# Mercedes Sprinter MWB Model Medium Wheel Base Custom Moulded Tanks

Atlas Tanks now offers a set of moulded tanks specifically for the MWB model Mercedes Benz Sprinter.

**IMPORTANT:** It is essential that you measure under the vehicle to ensure they fit correctly and that there are no obstructions that may affect the installation of these tanks or the fittings placements. We will not accept returns if this has not been done. Tank One (35 litres) will not fit the 4 x 4 model.

## How they come

There are 3 tanks for this vehicle. These tanks can be used for either freshwater or greywater depending on your plumbing arrangements.

## Can they be changed

The tank shape and sizes are fixed but the plumbing fitting location and sizes will be customised to suit your particular installation.

## Will they be visible

When installed correctly the tanks will all fit up above the vehicle sill and will not be seen.

## Tank Construction

These tanks are moulded from food grade, UV stabilised, BPA-free polyethylene. Polyethylene is very strong, highly impact resistant and will not rust or corrode.

## What about Installation

Each tank has been designed to fit in one location only. The tanks would best be installed by using a metal frame/brackets from the body under the tank and fixing back onto the body or chassis.

## Warranty

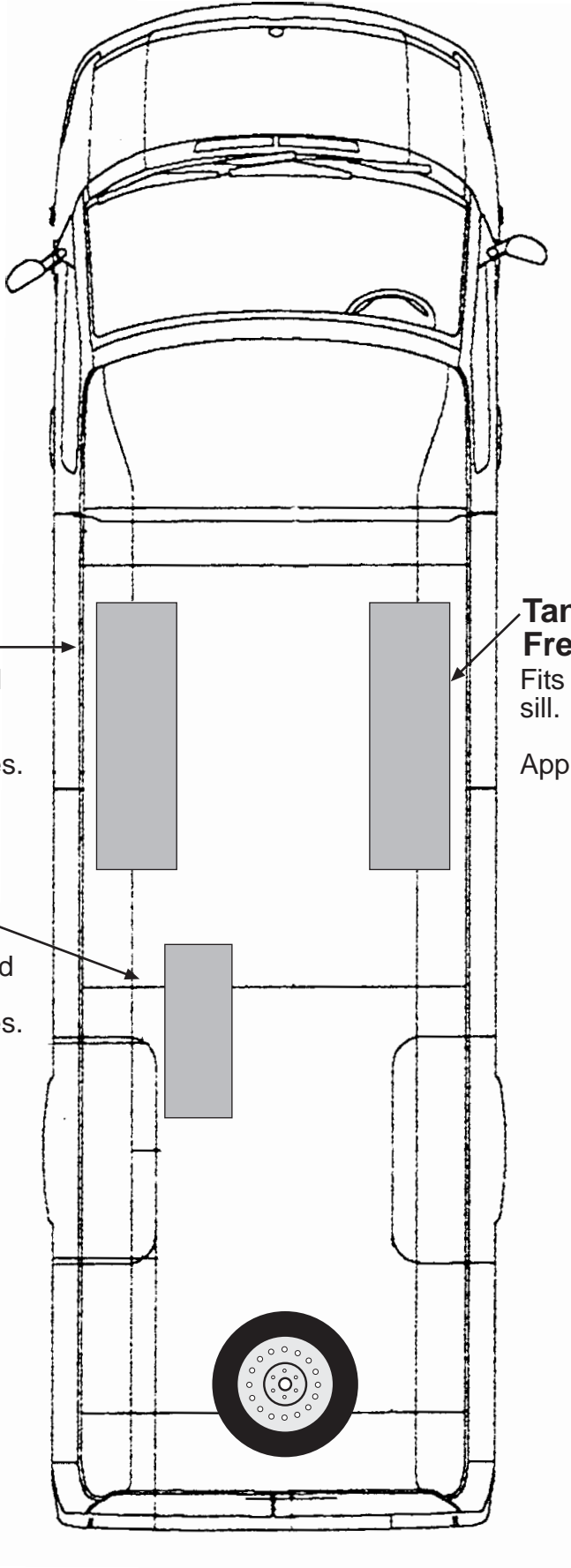
As with all Atlas Tanks they are covered by a 5 Year Guarantee against workmanship and defect.

# Mercedes Sprinter Tank locations

**Tank 3 Greywater or  
Freshwater**  
Fits between chassis rail and  
sill.  
Approximate capacity 45 litres.

**Tank 1 Freshwater or  
Greywater**  
Fits under the diff and forward  
of the rear wheel.  
Approximate capacity 35 litres.

**Tank 2 Greywater or  
Freshwater**  
Fits between chassis rail and  
sill.  
Approximate capacity 95 litres.





# Fittings

## Freshwater Tanks

Inlets, outlets, breathers and connectors will be fitted to the tanks as BSPT female threaded ports. The location of these ports will be customised to suit your installation. Mark on the drawings and return back to Atlas Tanks with the How To Order form.

We recommend the following size fittings:

### Water Tank

Filler:	1" or 1 1/2 "
Outlet to pump	1/2"
Breather	1/2"

### Greywater Tank

We recommend the following sizes:

Inlets:	1" or 1 1/2"
Outlet:	1" or 1 1/2"
Breather:	3/4"

# Tank Installation

## Installation

The tanks have been designed to be installed and held in position by a metal brackets made from angle steel. The frame can be secured using threaded hangers attached to the chassis and frame. Atlas Tanks does not supply any installation brackets.



# How to Order

## Tanks Required (please tick)

Tank 1 - 35 litre - \$267.96 inc gst

Tank 2 - 95 litre - \$333.90 inc gst

Tank 3 - 45 litre - \$267.96 inc gst

## Fitting Location and Sizes

Using the drawings provided please clearly indicate where you require your inlets, outlets, breathers and connectors.

## Special Instructions

## Order Information

Name of company: \_\_\_\_\_

Contact person: \_\_\_\_\_

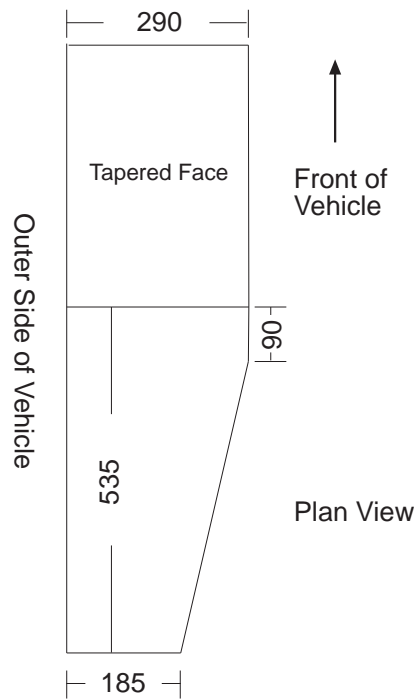
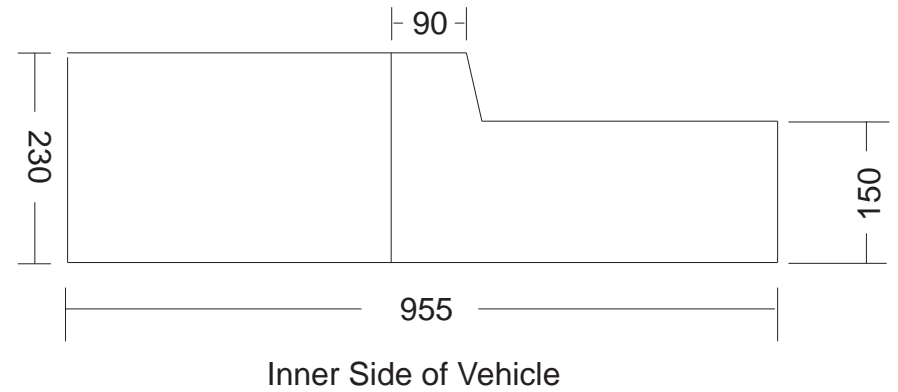
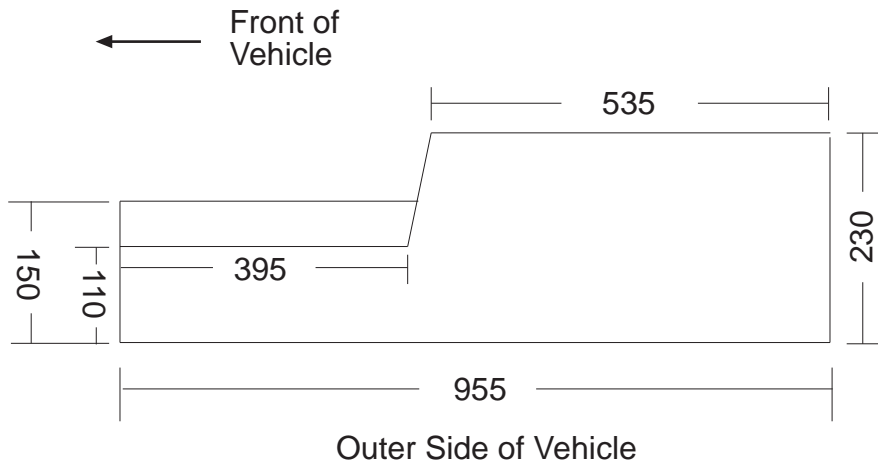
Delivery Address: \_\_\_\_\_

Postal Address : \_\_\_\_\_

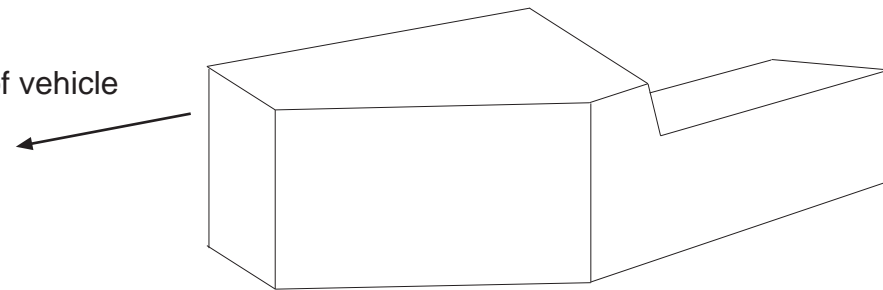
Phone Number: \_\_\_\_\_

Email: \_\_\_\_\_

Tanks Required by: \_\_\_\_\_



Rear of vehicle



Inner Side of Vehicle

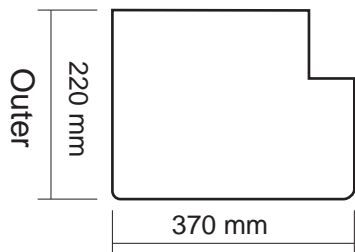
**Please clearly mark where you require fitting locations and sizes.**

Mercedes Sprinter MWB Model

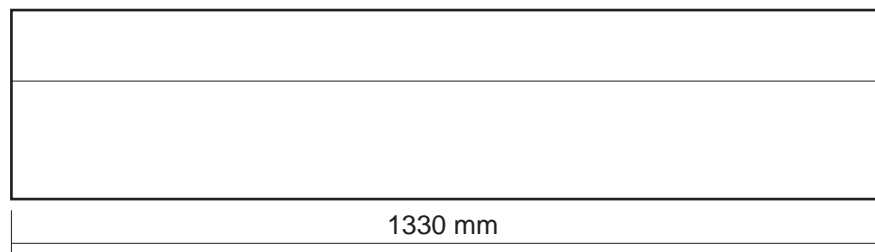
Tank: Tank One 35 litres

Atlas Tanks

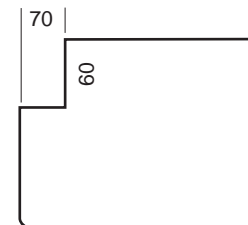
January 2019



Front View



Inner Side View

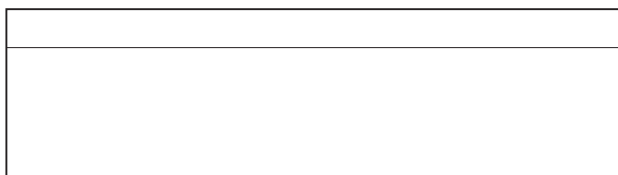


Rear View

Rear of vehicle



Outer Side View



Plan View

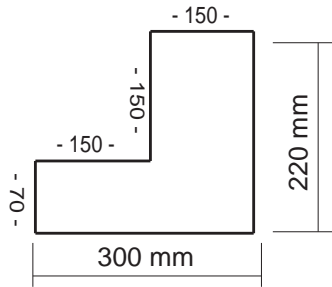
**Please clearly mark where you require fitting locations and sizes.**

Mercedes Sprinter MWB Model

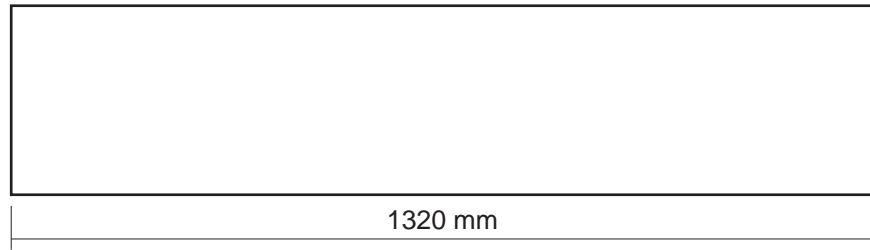
Tank: Tank Two 95 litres

Atlas Tanks

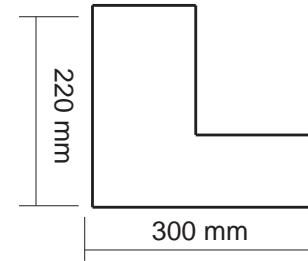
January 2019



Rear View

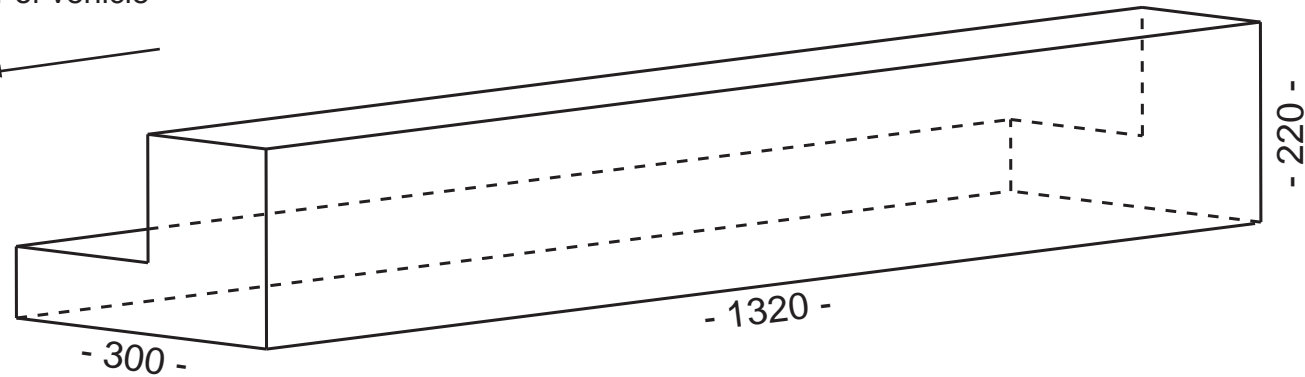


Inner Side View



Front View

Rear of vehicle



Plan View

**Please clearly mark where you require fitting locations and sizes.**

Mercedes Sprinter MWB Model	
Tank: Tank Three 45 litres	
Atlas Tanks	