

Front Cover



# Contents

Which Tank? A brief description of the tank types available	Page 2
About our Custom-Made Tanks	Page 3
How to Order Custom-Made Tanks	Page 4
About our Standard Size Tanks	Page 6
How to Order Standard Size Tanks	Page 8
Standard Size Tank Plans	Page 10 - 58
About Diesel Fuel Tanks	Page 59
Diesel Fuel Tanks for Marine Survey	Page 60 - 67
Gauges and Tank Sensors	Page 68
Fitting Size and Plumbing Guide for Recreational Vehicles	Page 70
Fitting Size and Plumbing Guide for Boats	Page 72
Frequently used terms Glossary	Page 74

# Which Tank?

Atlas Tanks offers two tank options

1. The first is what we call “**Custom-Made**” sometimes referred to as “fabricated” tanks. Custom-made tanks are made to your specifications. You specify the tank dimensions and fitting locations and sizes. These are ‘no compromise’ tanks, you get exactly what you need.
2. The second option is “**Standard Size**” tanks. With standard tanks the size is fixed, however you can have fittings (inlets, outlets & breathers) wherever you need them on the tank.

Both tank types are ideal for Freshwater, Greywater, Blackwater and Diesel applications.

So which tank should you use?

First see if a standard size tank will suit your needs, if so, this is the most economical option. If you can't get a standard size tank close to your ideal, or you need a tank to your exact specifications, a custom-made tank is the solution.

See “How to order Custom-Made Tanks” Page 4

See “How to order Standard size Tanks” Page 8

# About Our Custom-Made Tanks

Custom-made tanks can be made to just about any shape and size, fittings can be placed at any location on the tank. Custom-made tanks are perfectly suited for use in freshwater, greywater and blackwater installations.

Our custom-made tanks are fabricated from 6 & 10 mm thick, food grade polypropylene. We use polypropylene (PP) because it is very strong, highly impact resistant, food grade, corrosion free, light weight and has good working characteristics. Generally custom-made tanks will have baffles at about 350-450 mm centres. Tanks can be as small as 25 litres up to over 4,000 litres to most shapes and sizes.

Custom-made tanks are made from flat sheets and are folded and welded to form the required shapes. When completed every tank is pressure tested to 21 kpa, this allows us to check that the tank has no leaks, as well as testing tank integrity.

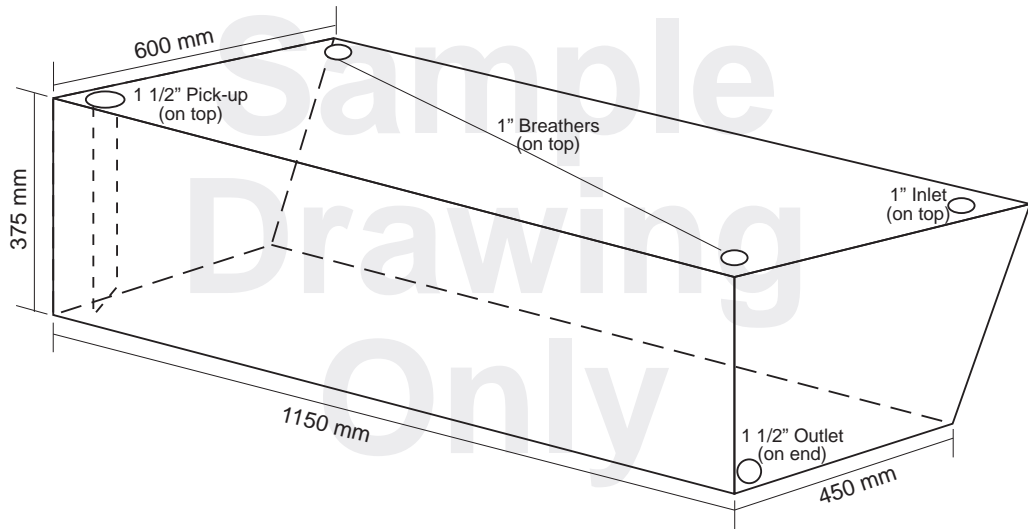
See “How to order Custom Made Tanks” Page 4

# How to Order Custom-Made Tanks or get a quote *fast*

Once you have the shape, size, fittings and their locations you need to send us a drawing which we will be able to work from. The following is an overall guide.

1. Draw the basic shape of your tank in relative proportion
  2. On your drawing detail all measurements paying particular attention to anything which is critical
  3. Indicate on your drawing the location of your fittings and their sizes
  4. Double check your dimensions and fittings are correct
  5. Mark what application the tank is for ie: fresh/grey/blackwater tank for a boat/motorhome etc
  6. On the same page put your contact details, include name, phone, email, delivery & postal address
  7. Send your drawing and details to Atlas Tanks;
- Fax: (07) 5438 2318  
Email: [atlas@atlastanks.com.au](mailto:atlas@atlastanks.com.au)  
Post: Atlas Tanks  
18 Allen Street  
Moffat Beach QLD 4551

# Illustration of how to order custom-made tanks



Name  
Delivery address  
Contact Phone number  
Email address

Blackwater tank

# About Our Standard Size Tanks

Our range of standard tanks are one piece moulded. Standard tanks are extremely strong and light weight, typically the wall thickness is between 6-8mm. Standard tanks are moulded from food grade Polyethylene and are ideal for freshwater, greywater and blackwater applications.

## Fittings

Inlets, outlets, breather and other fittings are supplied as BSPT female threaded ports. Fittings are applied to the tank after moulding and can be located just about anywhere on the tank. Sizes 1/4", 3/8", 1/2", 3/4", 1", 1-1/4, 1-1/2" and 2".

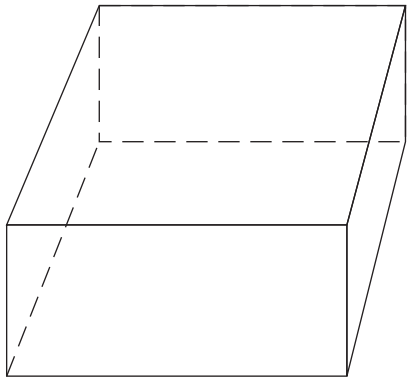
## Custom-Moulded Tanks O.E.M.

Where you have a need for a specific size or shape tank which you use regularly (about 10 per year) we offer our O.E.M. service of custom-made moulded tanks. Custom-made moulded tanks represent outstanding value and convenience.

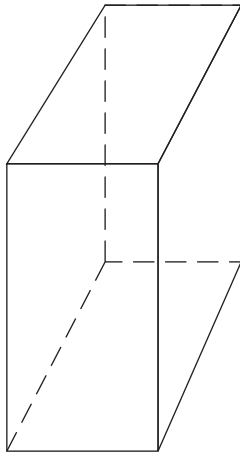


# Tank Orientation

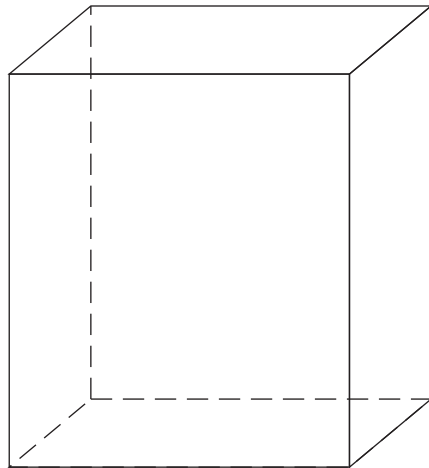
Any tank from our standard range can sit on either tank side or end.



Laying Flat



On side



On End

# How to Order Standard Size Tanks

1. Photocopy the page with the tank you require.
2. On the photocopied tank drawing, clearly mark the locations and sizes of your inlets, outlets and breathers. If exact locations are required, indicate in millimetres the centres of fittings.
3. On the same photocopied page put your contact details, include name, phone, fax, delivery & postal address.

4. Send your drawing and details to Atlas Tanks;

Fax: (07) 5438 2318

Email: [atlas@atlastanks.com.au](mailto:atlas@atlastanks.com.au)

Post: Atlas Tanks

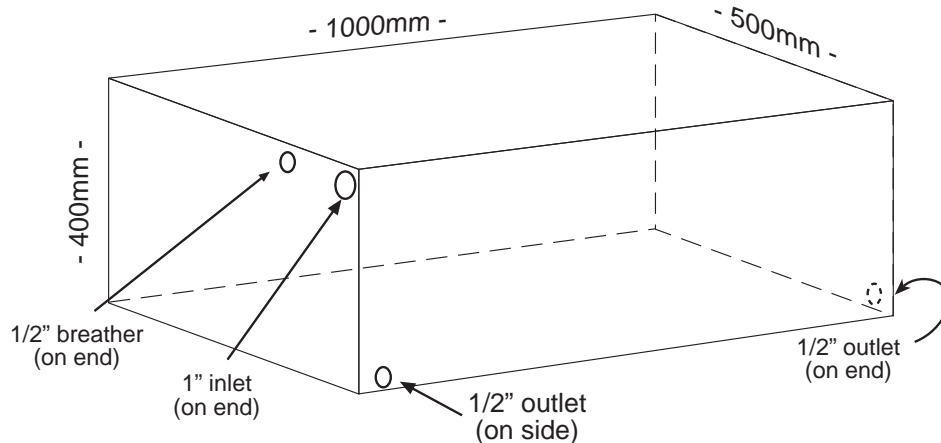
18 Allen Street

Moffat Beach QLD 4551

# Illustration of how to order standard tanks

Freshwater Tank

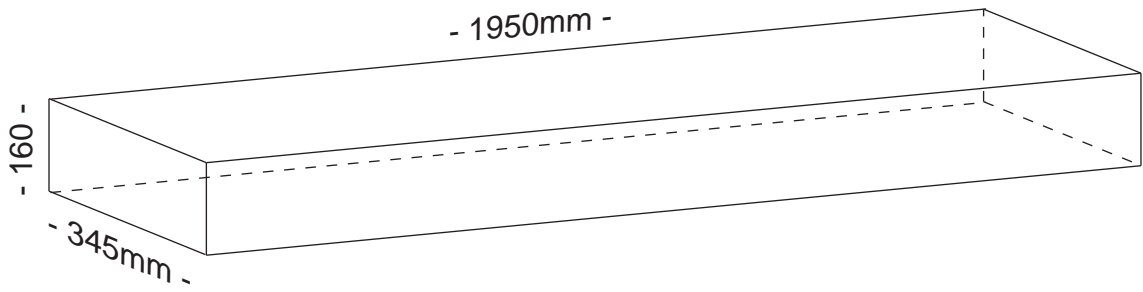
Tank: 1000 x 500 x 400



Name  
Delivery address  
Contact Phone number  
Email address

*approximately 200 litres*

Tank: 1950 x 345 x 160

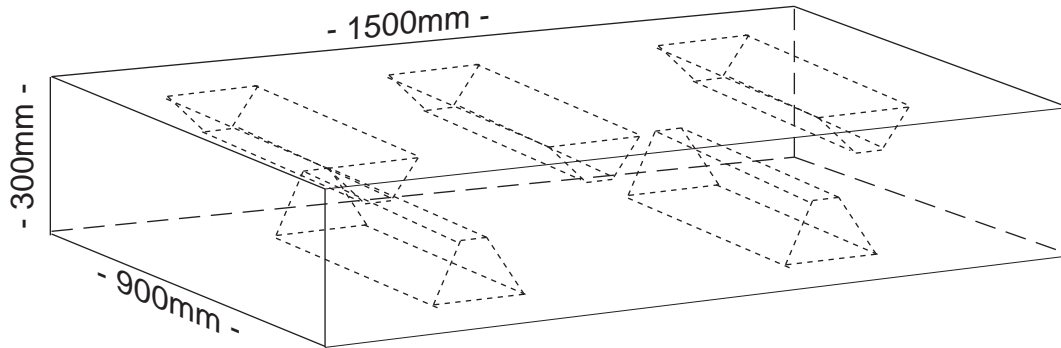


2 ribs top and bottom

approximately 90 litres

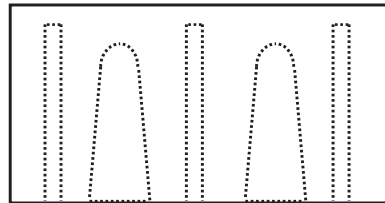
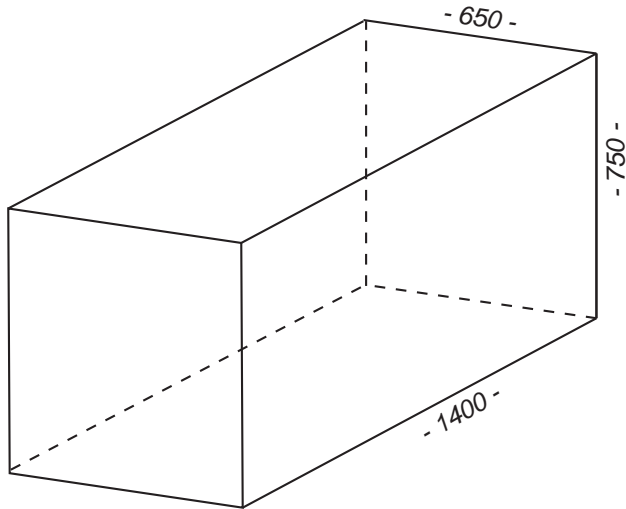
Tank: 1500 x 900 x 300

This tank has internal  
moulded baffles



*approximately 380 litres*

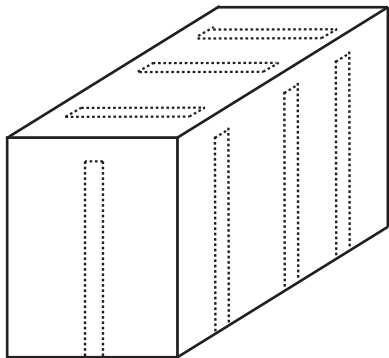
Tank: 1400 x 650 x 750



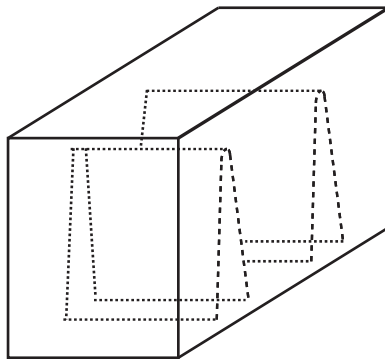
SIDE VIEW BAFFLE CONFIGURATION

*approximately 600 litres*

Tank: 1400 x 650 x 750



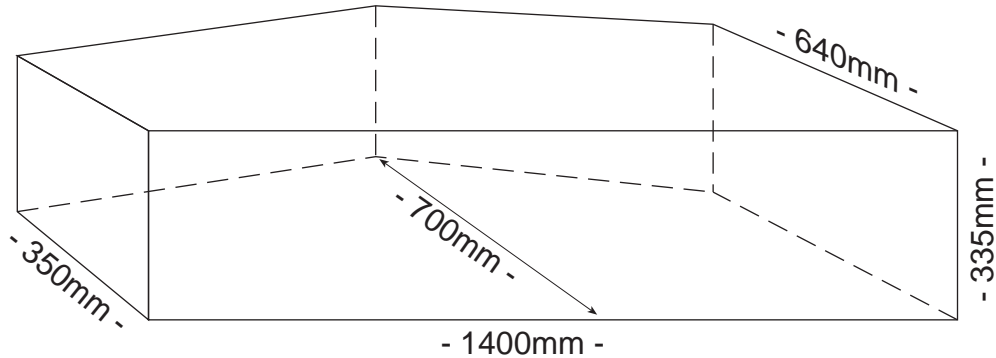
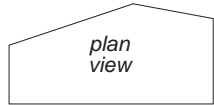
WALL STRENGTHENING BAFFLES  
ON TOP, SIDES AND ENDS.



INTERNALLY MOULDED  
BAFFLES X 2

*approximately 600 litres*

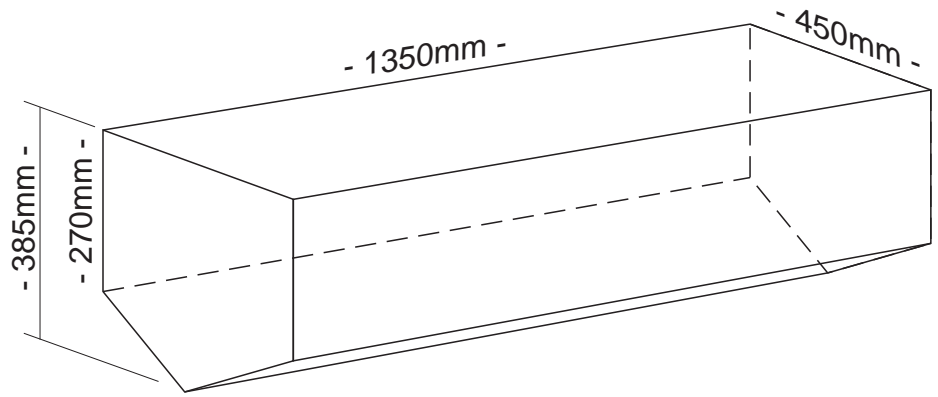
Tank: 1400 x 350>640>700 x 335



approximately 250 litres



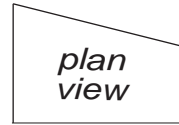
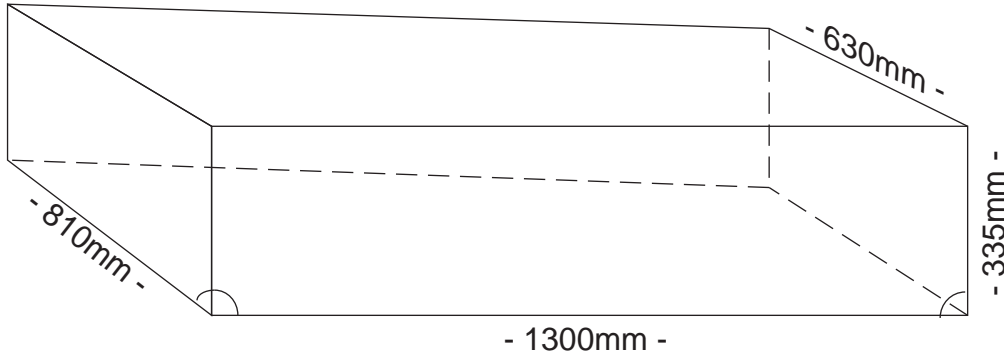
Tank: 1350 x 450 x 270>385



*approximately 180 litres*

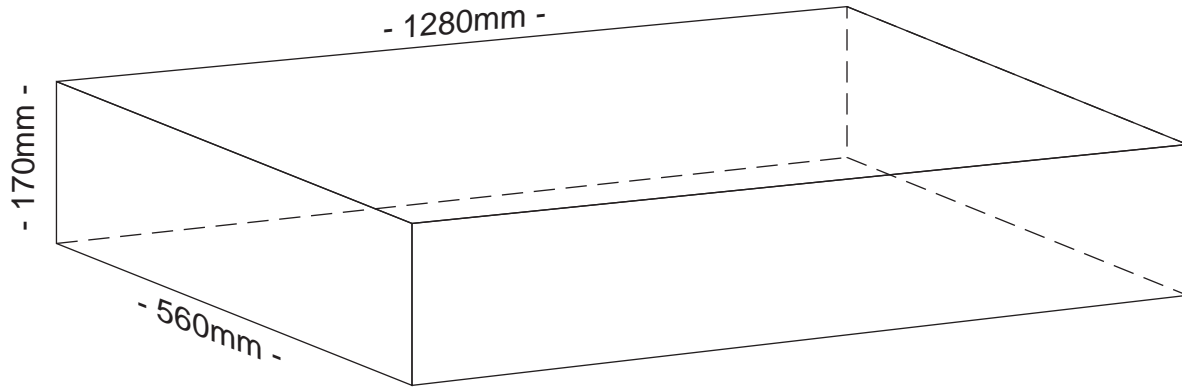
Tank: 1300 x 630 > 810 x 335

(tapered side at back)



approximately 300 litres

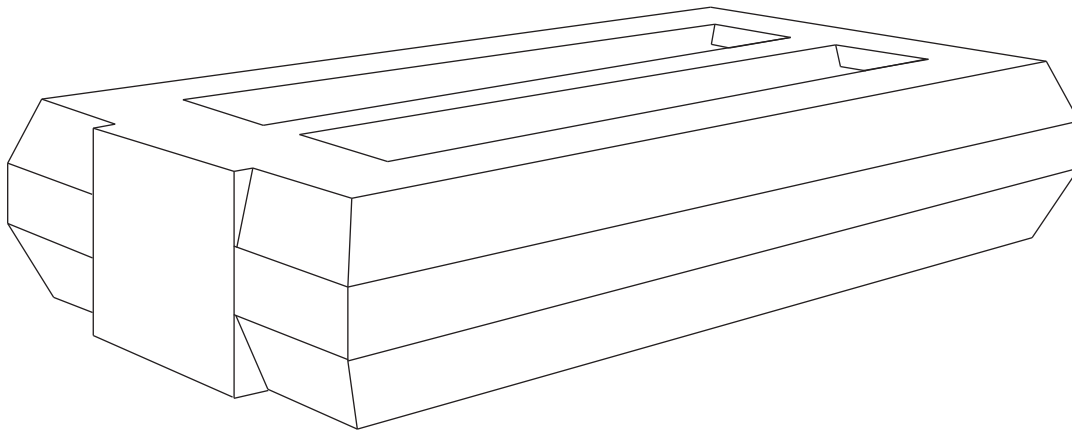
Tank: 1280 x 560 x 170



*approximately 110 litres*

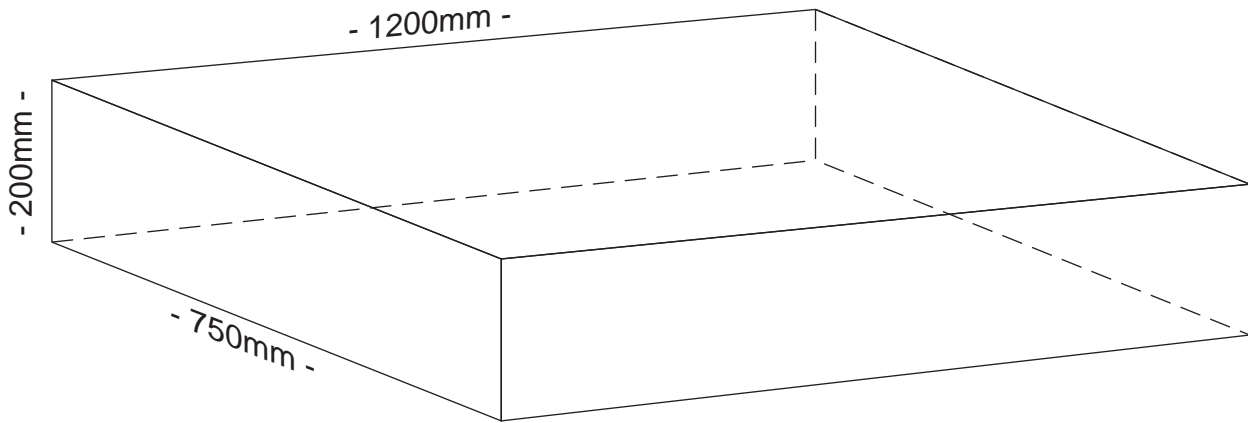
Caravan Pillow Tank

Tank: 1215 x 480 x 190

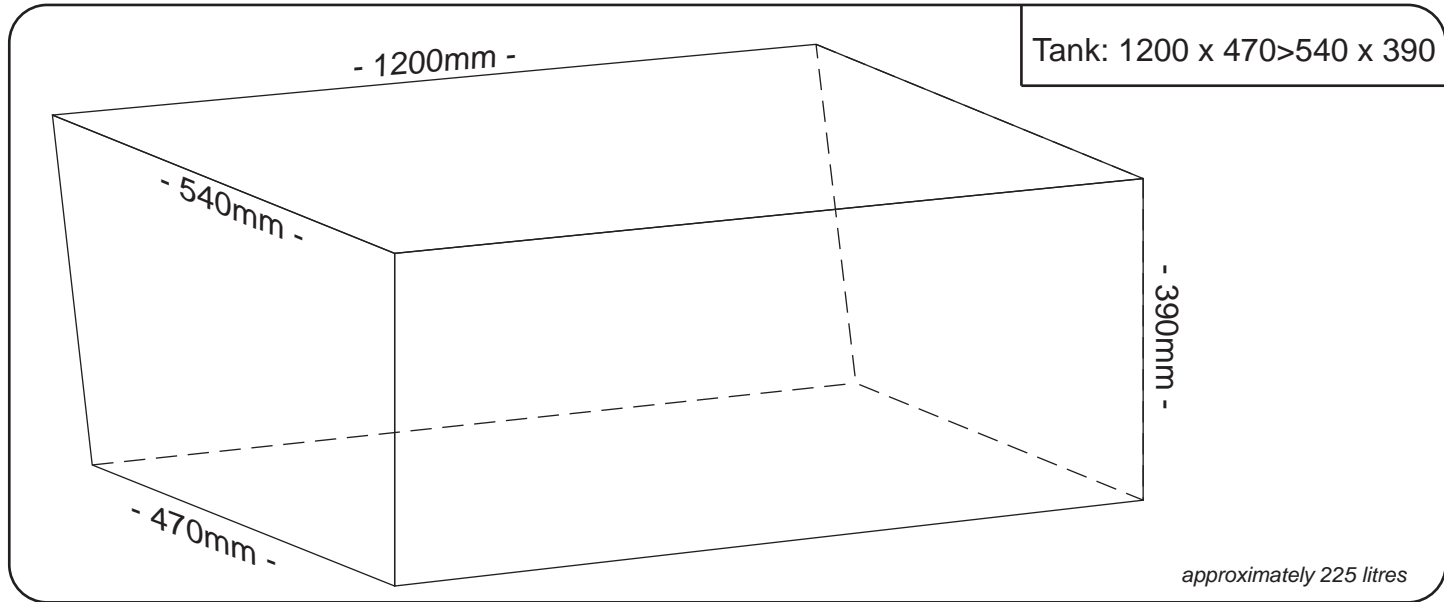


*approximately 100 litres*

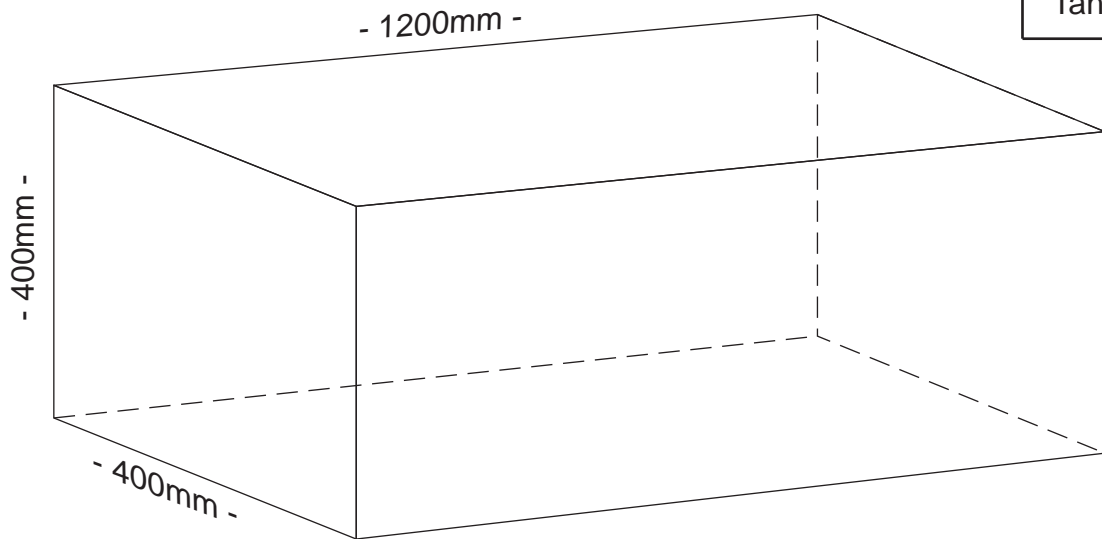
Tank: 1200 x 750 x 200



*approximately 165 litres*

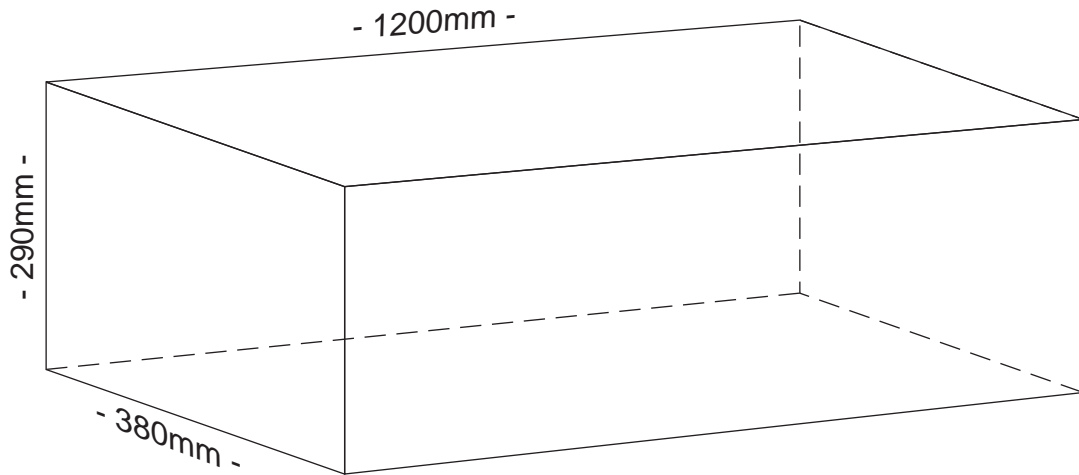


Tank: 1200 x 400 x 400



*approximately 180 litres*

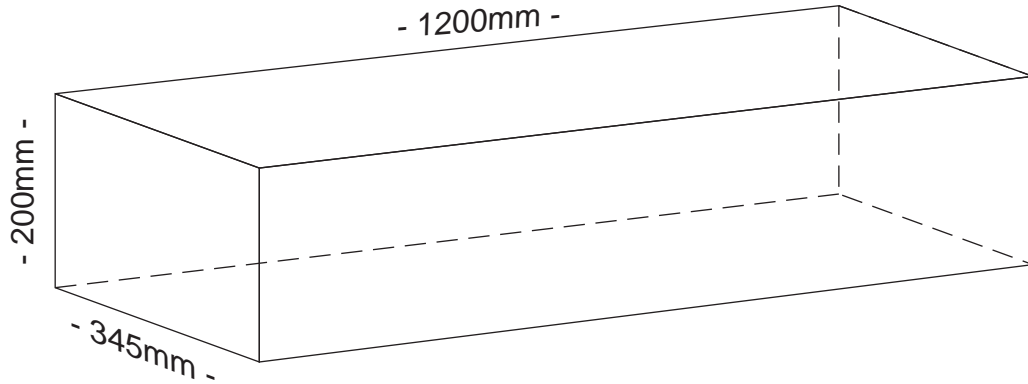
Tank: 1200 x 380 x 290



*approximately 120 litres*

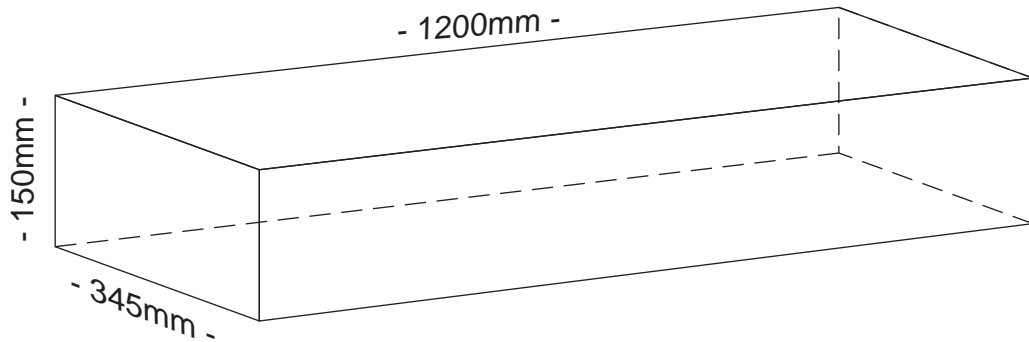


Tank: 1200 x 345 x 200



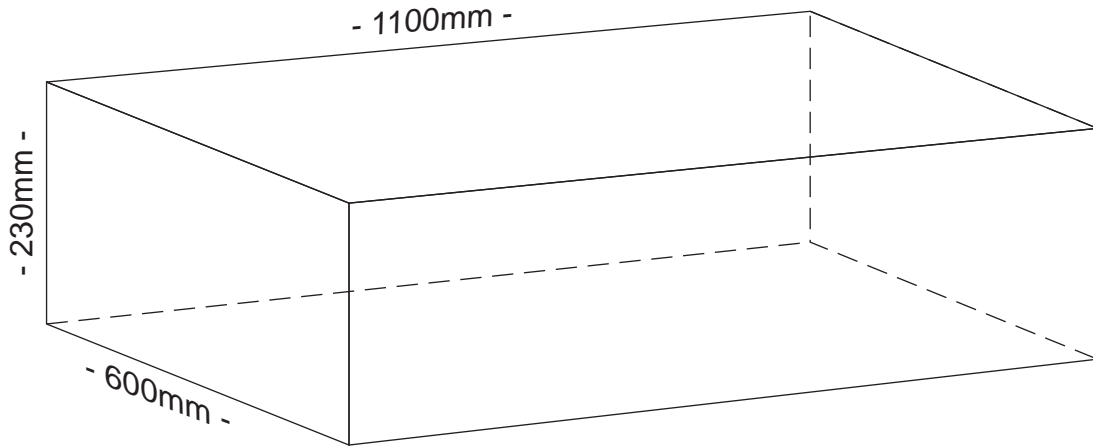
*approximately 80 litres*

Tank: 1200 x 345 x 150



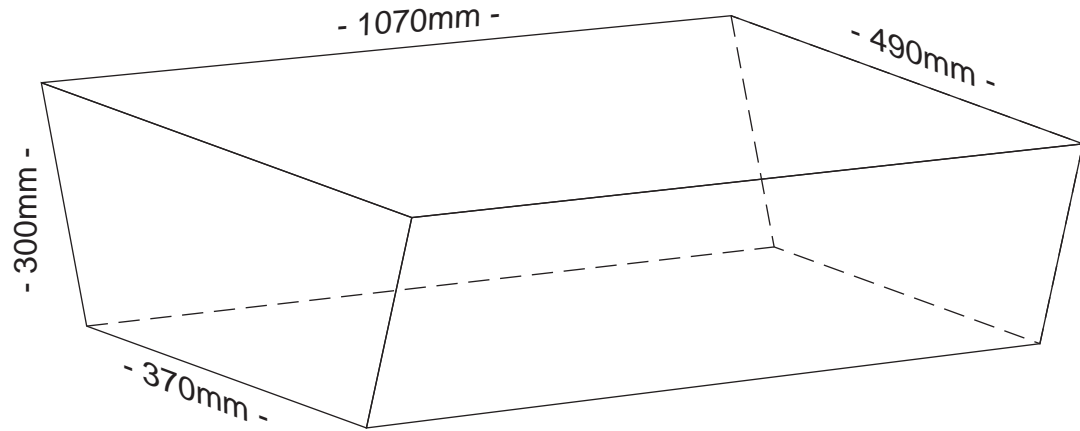
*approximately 55 litres*

Tank: 1100 x 600 x 230



*approximately 140 litres*

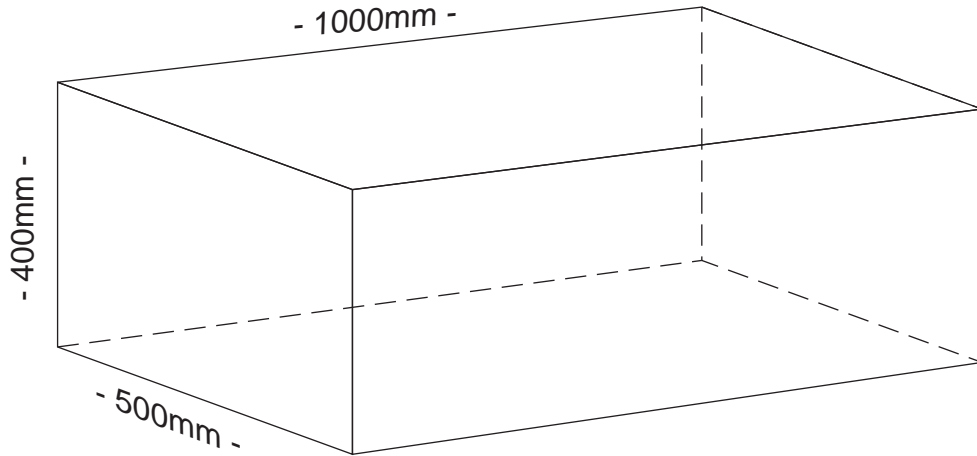
Tank: 1070 x 370 > 490 x 300



\*even taper both sides

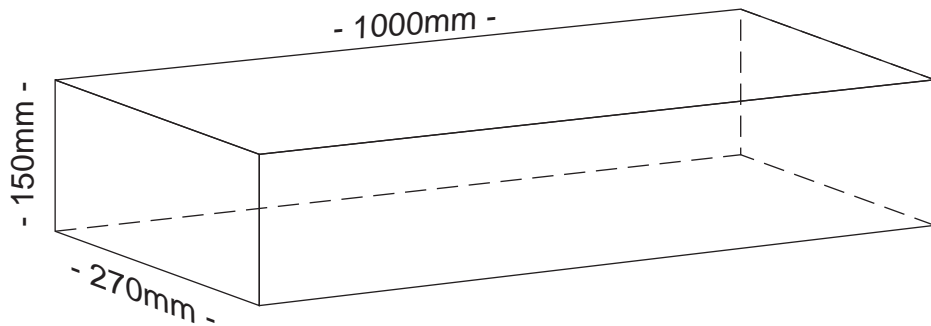
*approximately 110 litres*

Tank: 1000 x 500 x 400



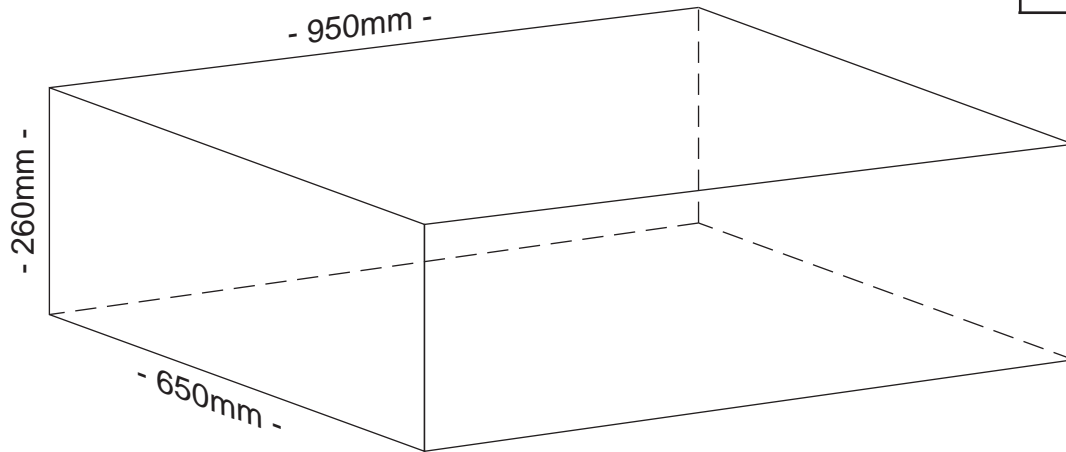
*approximately 185 litres*

Tank: 1000 x 270 x 150



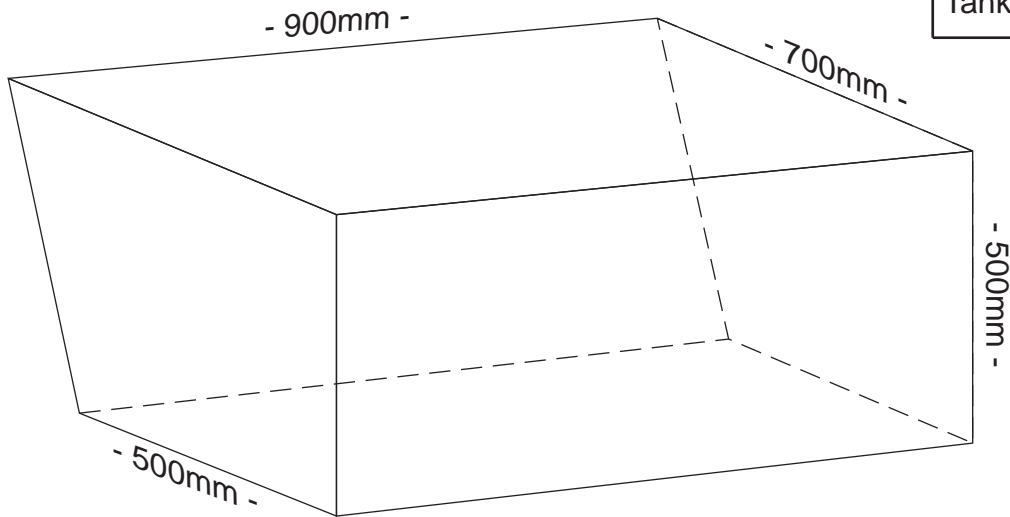
*approximately 35 litres*

Tank: 950 x 650 x 260



*approximately 150 litres*

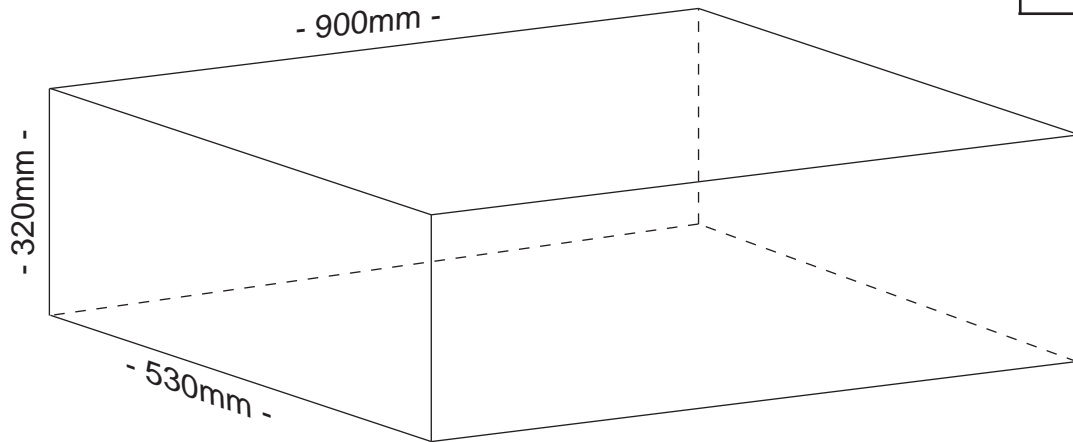
Tank: 900 x 500 > 700 x 500



*approximately 235 litres*

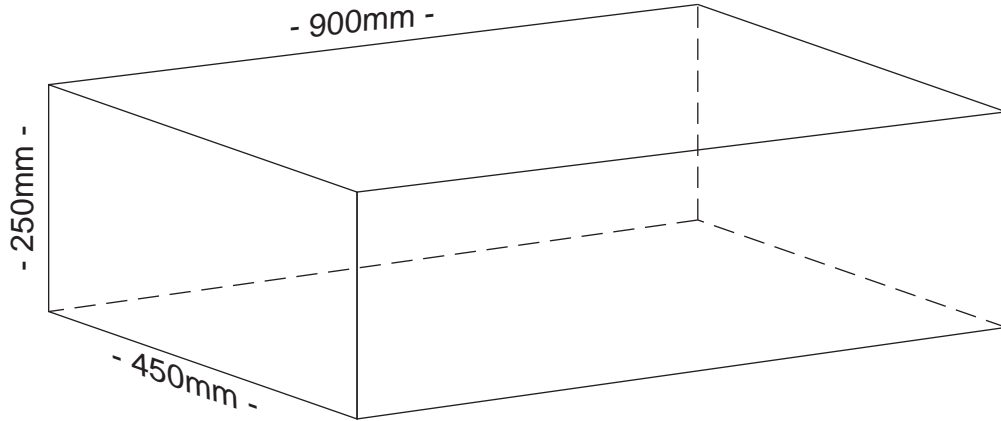


Tank: 900 x 530 x 320



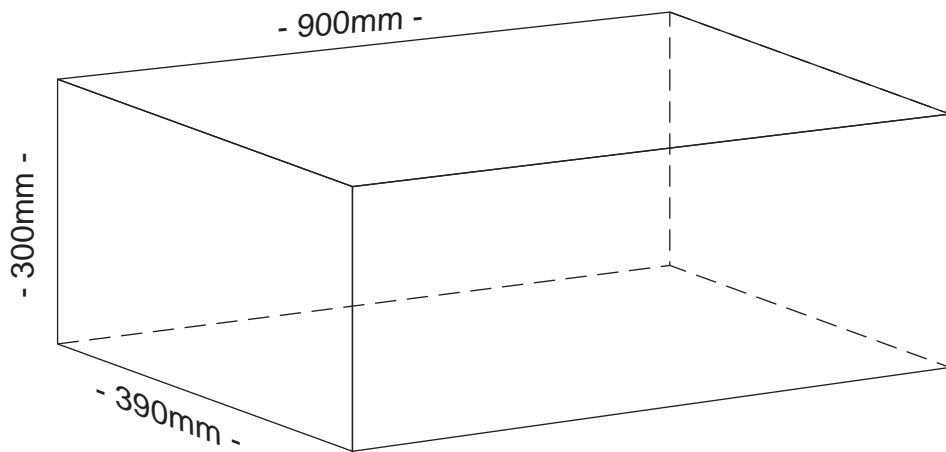
*approximately 145 litres*

Tank: 900 x 450 x 250



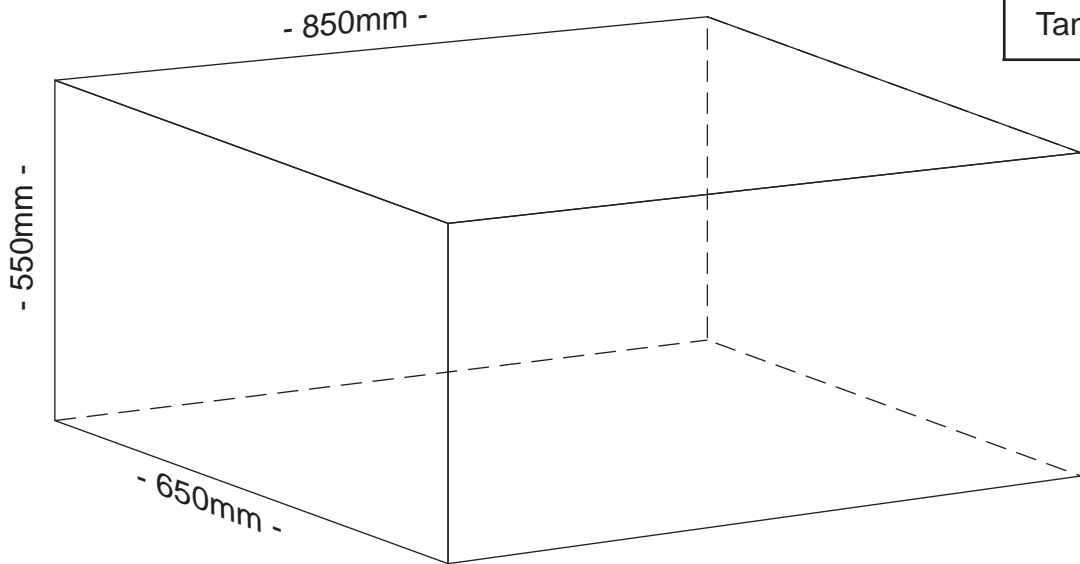
*approximately 95 litres*

Tank: 900 x 390 x 300

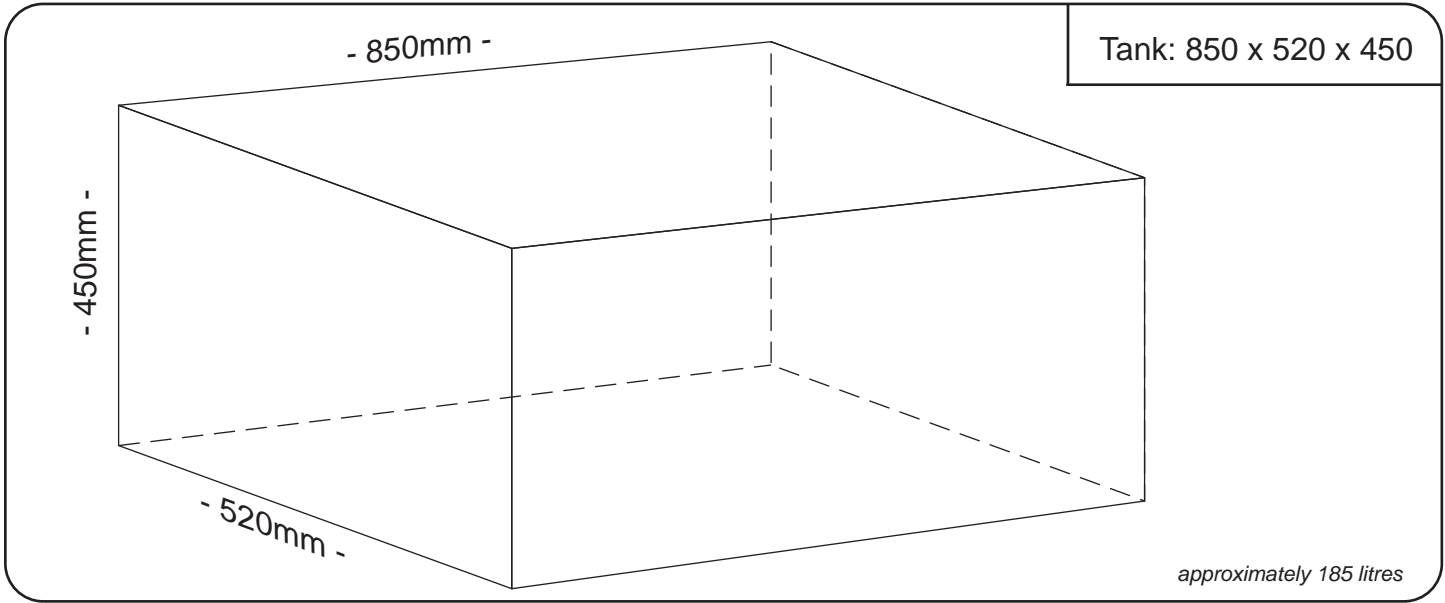


*approximately 95 litres*

Tank: 850 x 650 x 550



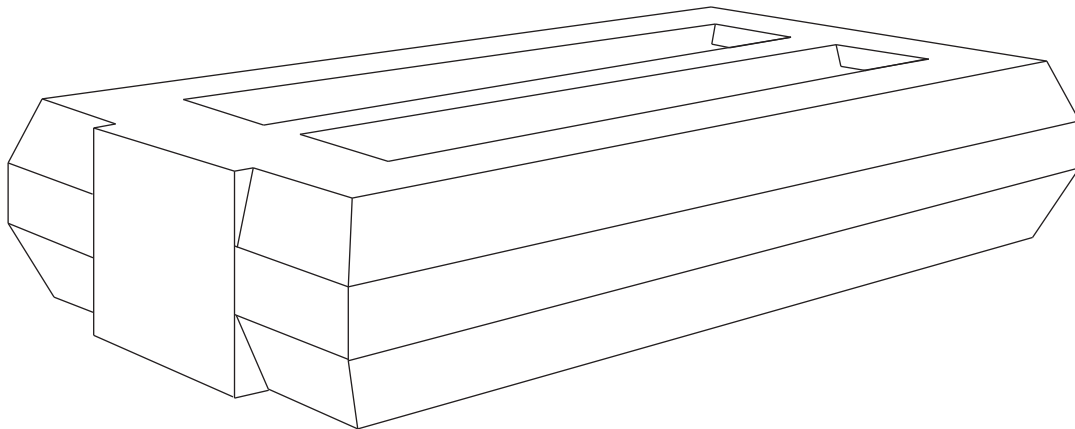
*approximately 285 litres*



*approximately 185 litres*

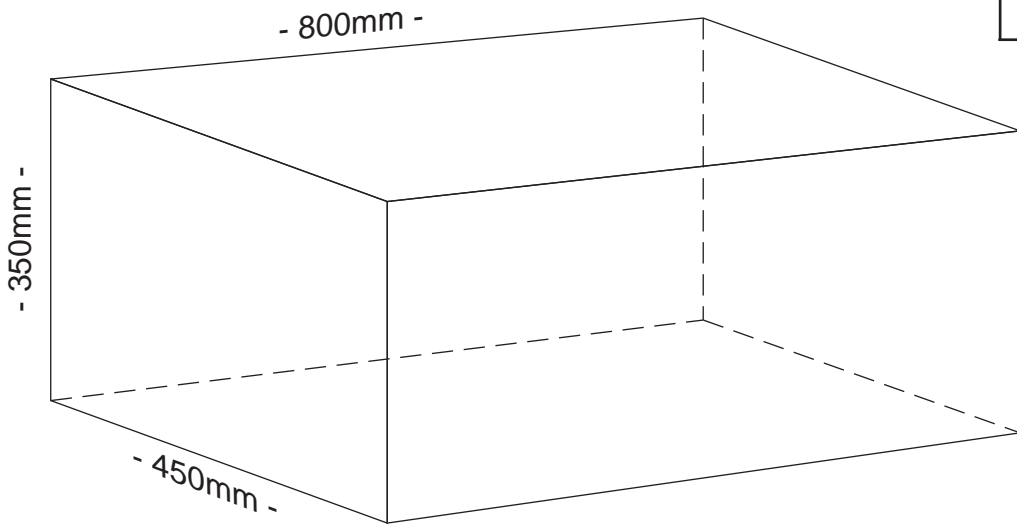
Caravan Pillow Tank

Tank: 845 x 475 x 185



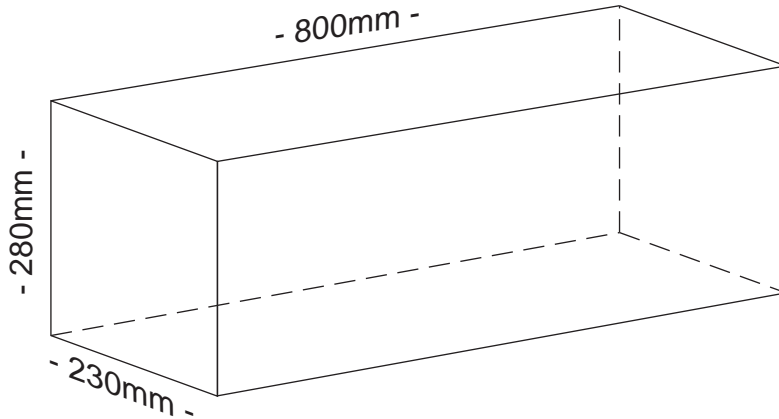
*approximately 60 litres  
8mm wall thickness*

Tank: 800 x 450 x 350



*approximately 120 litres*

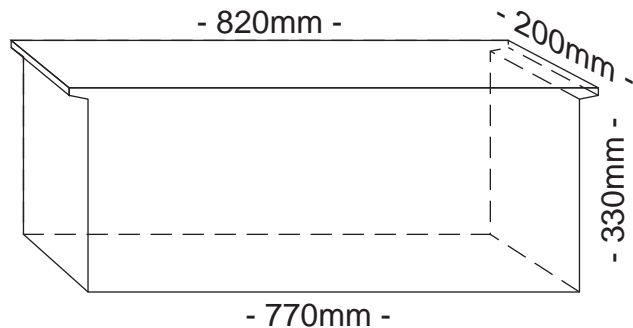
Tank: 800 x 280 x 230



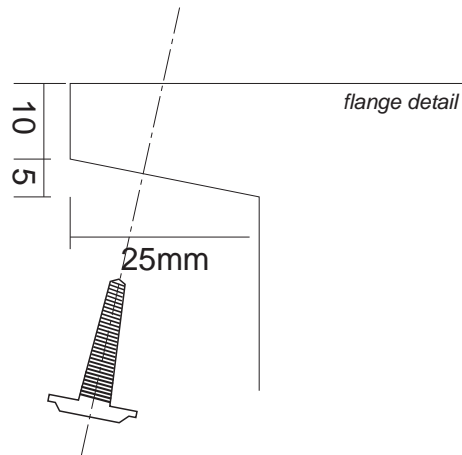
*approximately 45 litres*



Can be mounted under floor & fastened through flange

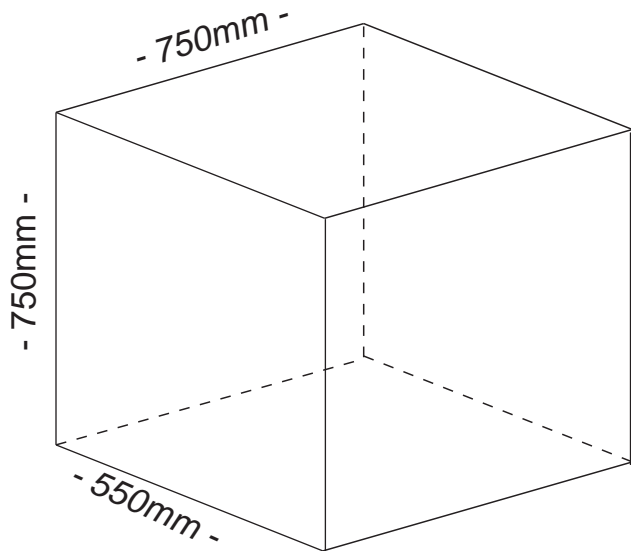


Tank: 770>820 x 200 x 330



approximately 45 litres

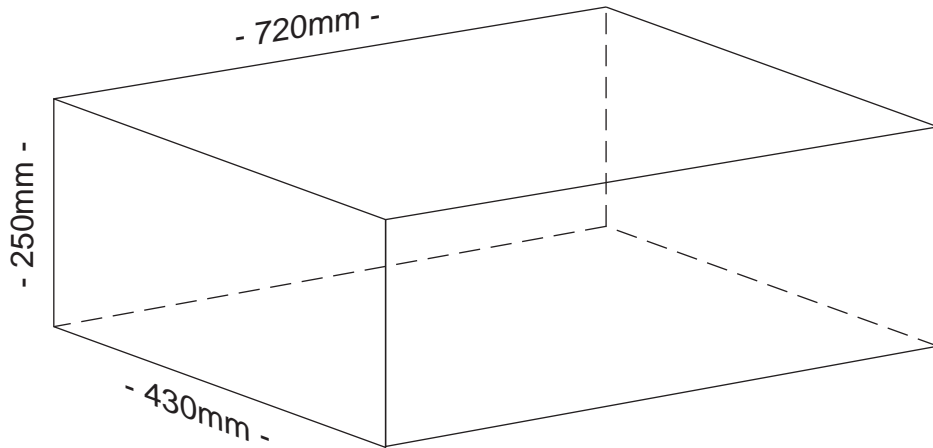
Tank: 750 x 750 x 550



*approximately 300 litres*

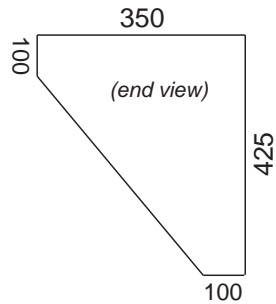
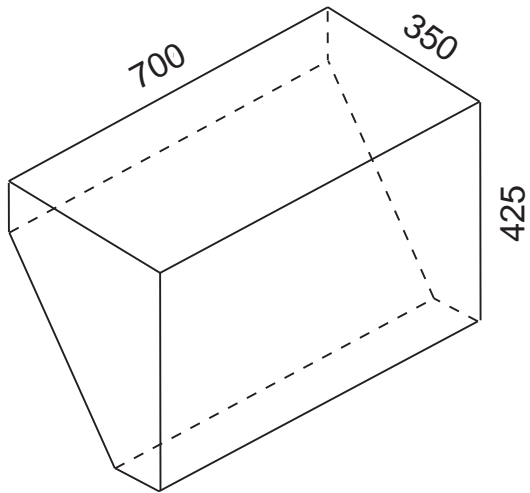
Suits Toyota Coaster

Tank: 720 x 430 x 250



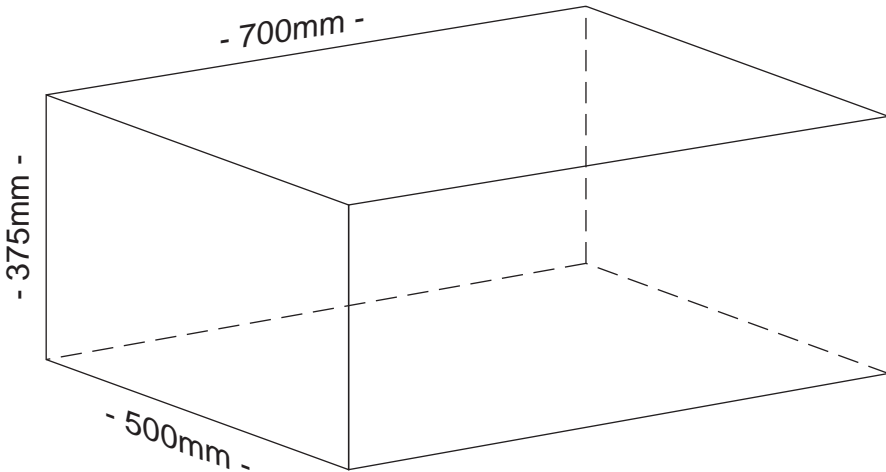
*approximately 70 litres*

Tank: 700 x 100 > 350 x 100 > 425



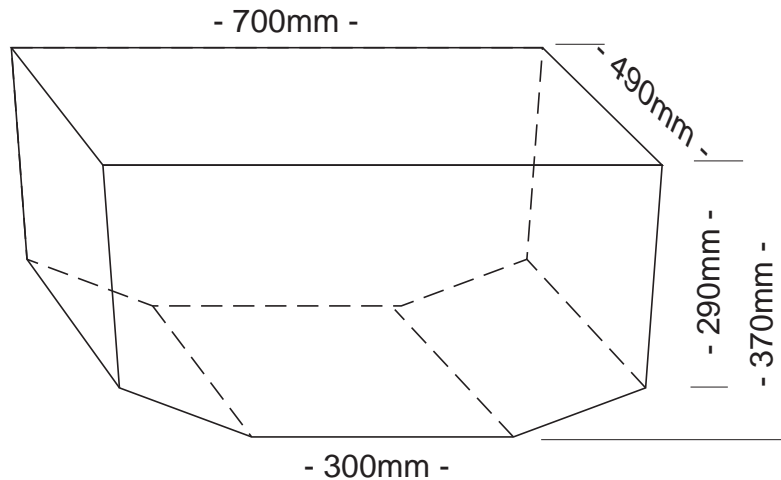
*approximately 70 litres*

Tank: 700 x 500 x 375



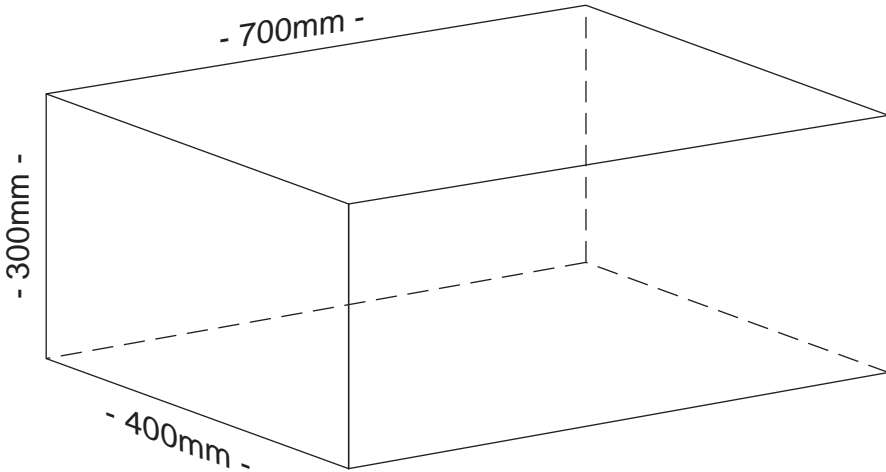
*approximately 120 litres*

Tank: 700 x 490 x 290>370



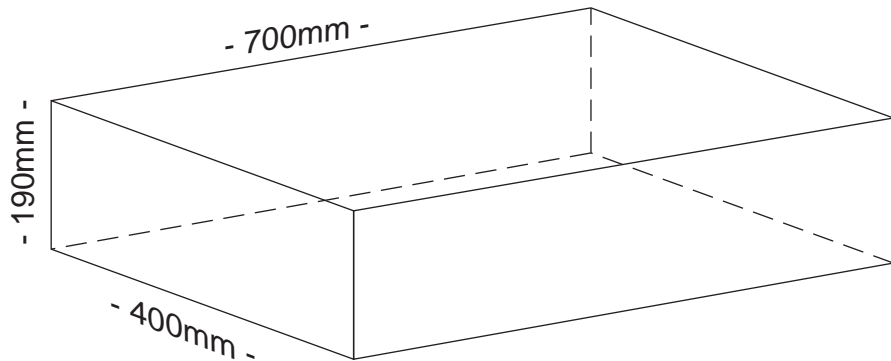
*approximately 100 litres*

Tank: 700 x 400 x 300



*approximately 80 litres*

Tank: 700 x 400 x 190

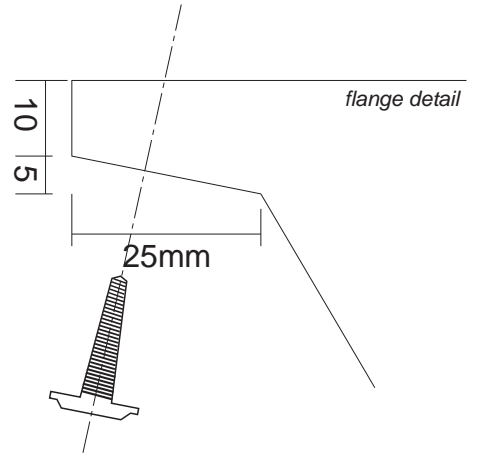
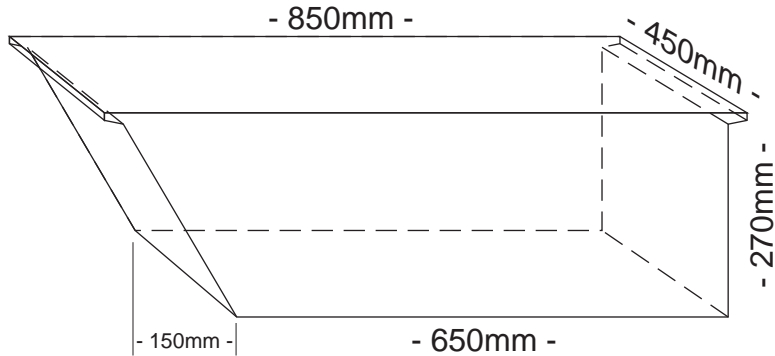


*approximately 45 litres*



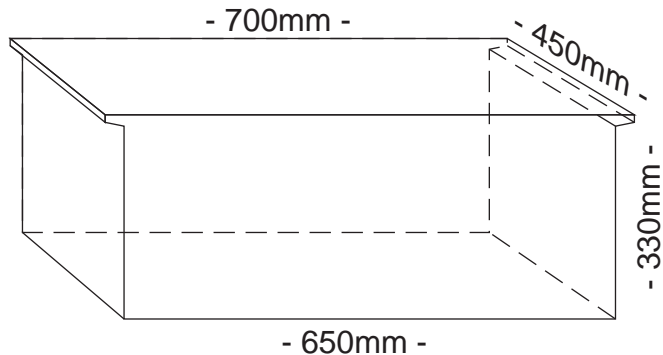
Can be mounted under floor & fastened through flange

Tank: 650>850 x 450 x 270

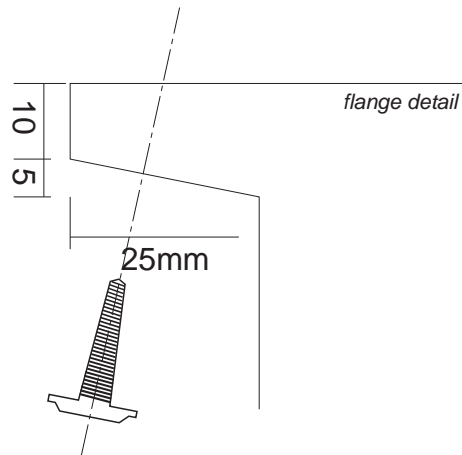


approximately 85 litres

Can be mounted under floor & fastened through flange



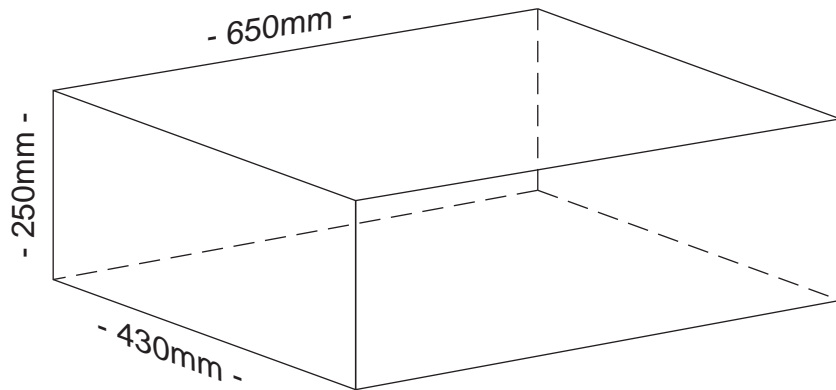
Tank: 650>700 x 450 x 330



approximately 90 litres

Suits Toyota Coaster

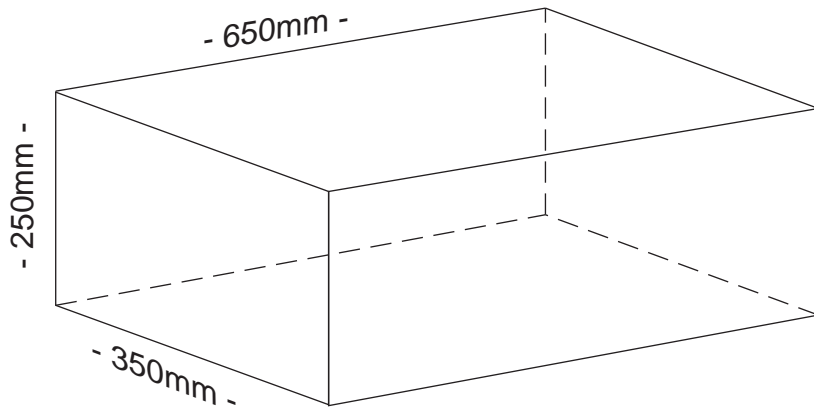
Tank: 650 x 430 x 250



*approximately 65 litres*

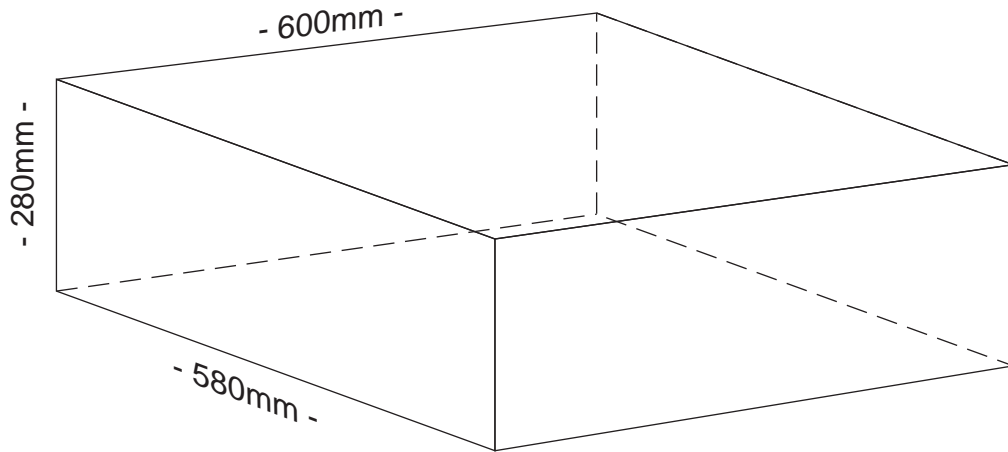
Suits Toyota Coaster

Tank: 650 x 350 x 250



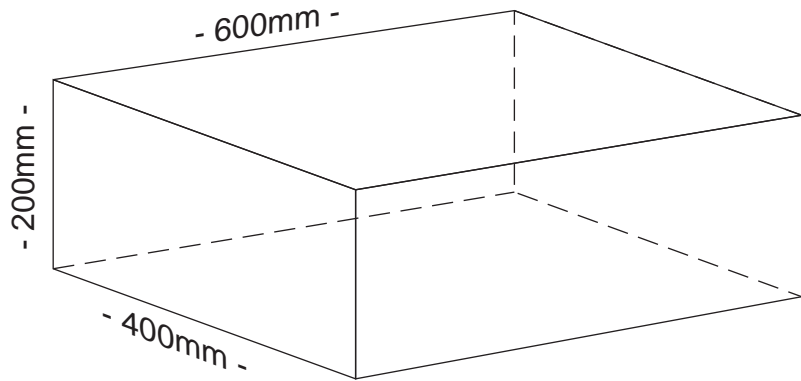
*approximately 50 litres*

Tank: 600 x 580 x 280



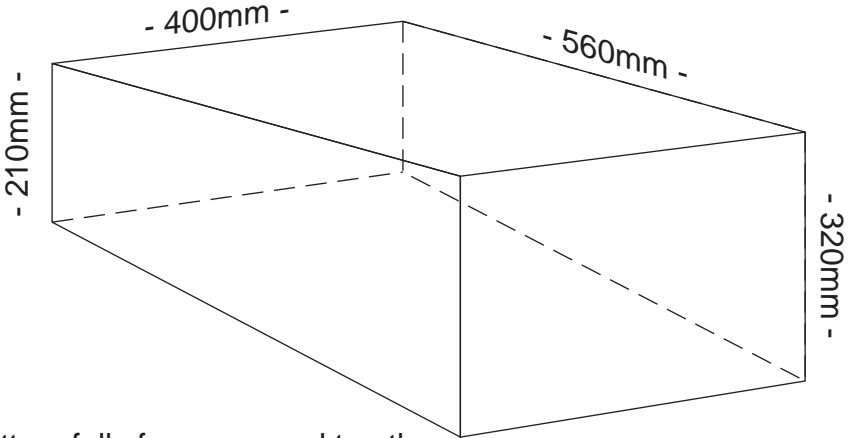
*approximately 90 litres*

Tank: 600 x 400 x 200



*approximately 45 litres*

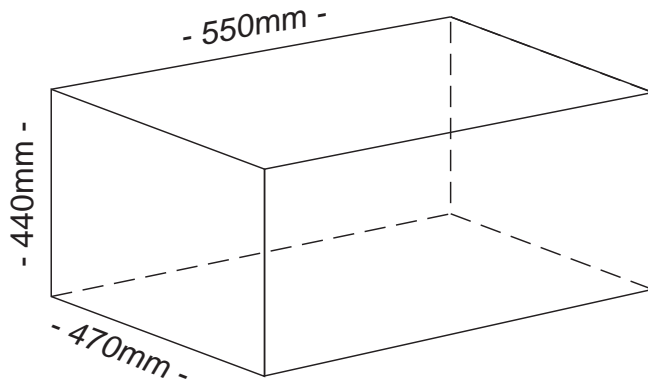
Tank: 560 x 400 x 210>320



\*bottom falls from one end to other

*approximately 50 litres*

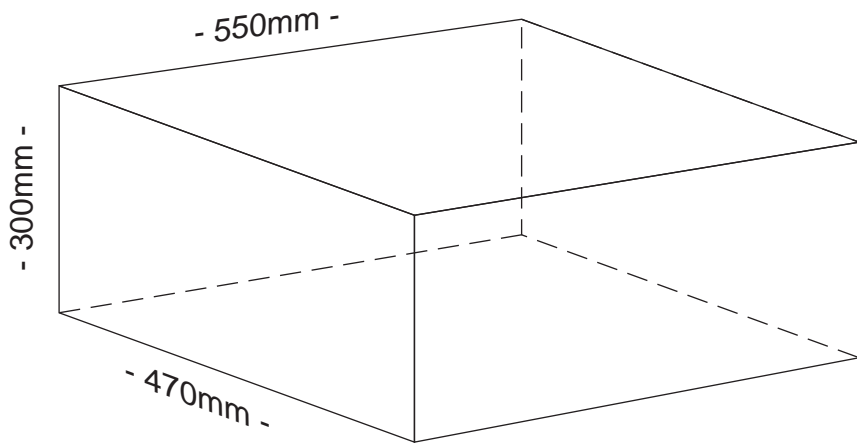
Tank: 550 x 470 x 440



*approximately 110 litres*

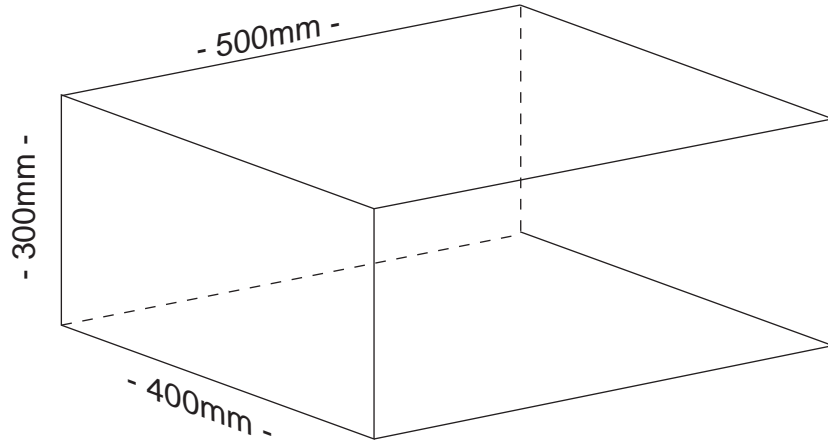


Tank: 550 x 470 x 300



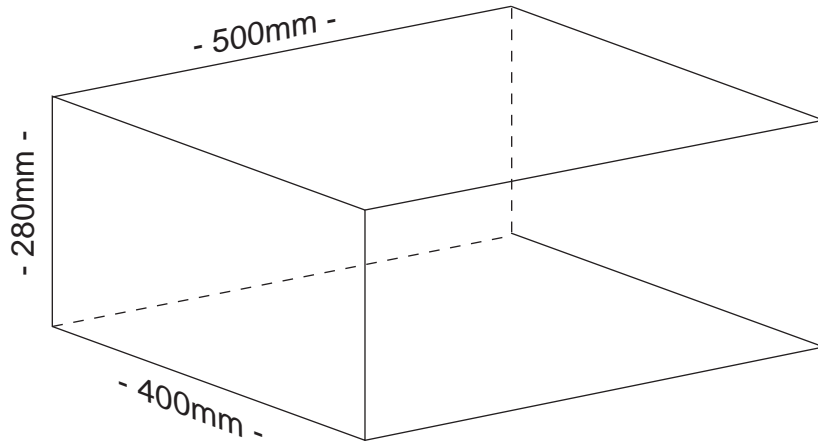
*approximately 75 litres*

Tank: 500 x 400 x 300



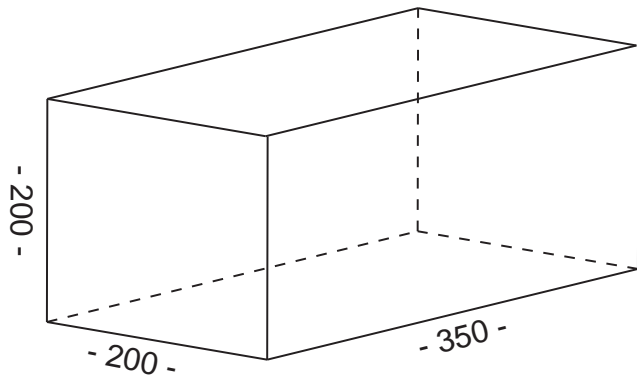
*approximately 55 litres*

Tank: 500 x 400 x 280



*approximately 50 litres*

Tank: 350 x 200 x 200



*approximately 10 litres*

# About Diesel Fuel Tanks

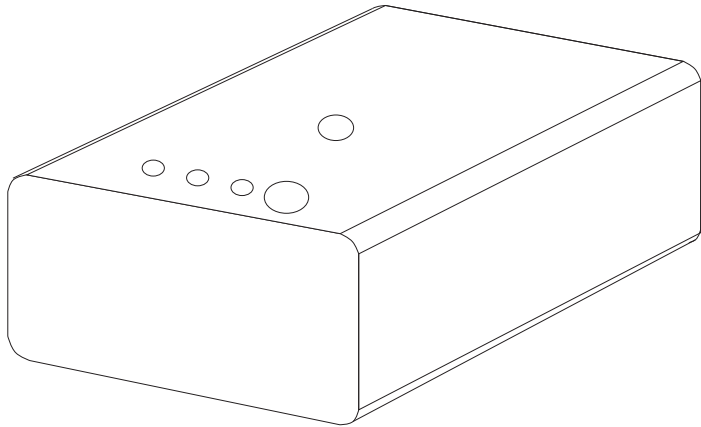
We can mould any of the standard size range as a diesel tank. Our diesel fuel tanks are one piece moulded and the material used is specifically formulated for use in diesel tank applications. Typically the wall thickness is 10mm.

## Custom-Moulded Tanks O.E.M.

Where you have a need for a specific size or shape tank which you use regularly (about 10 per year) we offer our O.E.M. service of custom-made moulded tanks. Custom-made moulded tanks represent outstanding value and convenience.

Diesel Tank Certified For Marine Survey

Tank: 600 x 400 x 200



**Included with the tank**

- 1 x 1-1/2" Filler Hosetail
- 1 x 5/8" Breather Hosetail
- 1 x 1/2" Pick-Up Hosetail
- 1 x 1/2" Return Hosetail
- 1 x 1-1/4" Sensor Port

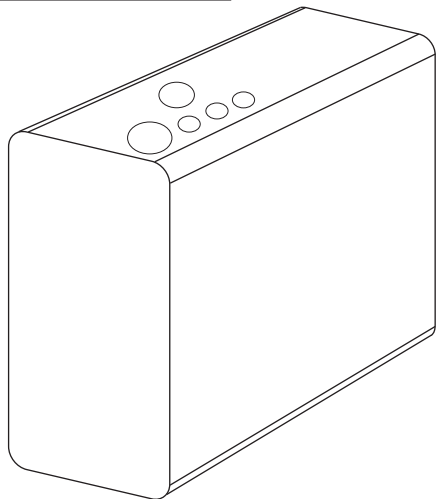
**Optional**

- 3/8" Pick-Up Hosetail
- 3/8" Return Hosetail

*approximately 40 litres*

Diesel Tank Certified For Marine Survey

Tank: 600 x 200 x 400



**Included with the tank**

- 1 x 1-1/2" Filler Hosetail
- 1 x 5/8" Breather Hosetail
- 1 x 1/2" Pick-Up Hosetail
- 1 x 1/2" Return Hosetail
- 1 x 1-1/4" Sensor Port

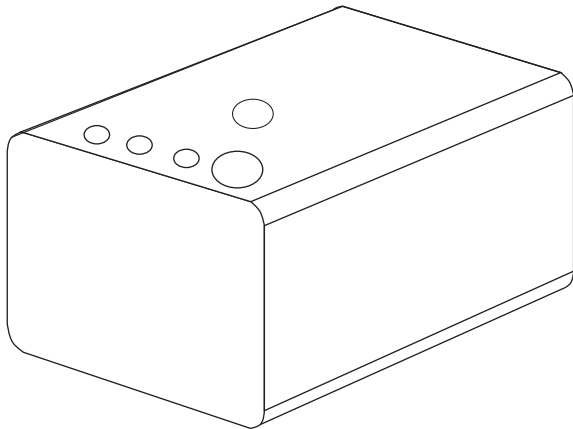
**Optional**

- 3/8" Pick-Up Hosetail
- 3/8" Return Hosetail

*approximately 40 litres*

Diesel Tank Certified For Marine Survey

Tank: 500 x 400 x 300



**Included with the tank**

- 1 x 1-1/2" Filler Hosetail
- 1 x 5/8" Breather Hosetail
- 1 x 1/2" Pick-Up Hosetail
- 1 x 1/2" Return Hosetail
- 1 x 1-1/4" Sensor Port

**Optional**

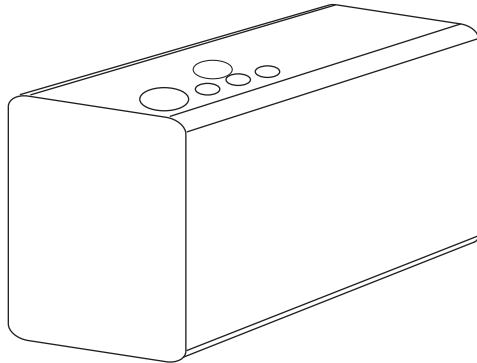
- 3/8" Pick-Up Hosetail
- 3/8" Return Hosetail

*approximately 52 litres*



Diesel Tank Certified For Marine Survey

Tank: 500 x 300 x 400



**Included with the tank**

- 1 x 1-1/2" Filler Hosetail
- 1 x 5/8" Breather Hosetail
- 1 x 1/2" Pick-Up Hosetail
- 1 x 1/2" Return Hosetail
- 1 x 1-1/4" Sensor Port

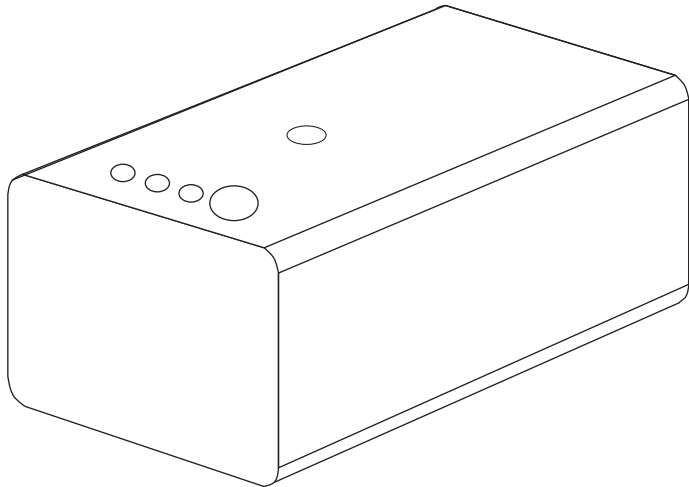
**Optional**

- 3/8" Pick-Up Hosetail
- 3/8" Return Hosetail

*approximately 52 litres*

Diesel Tank Certified For Marine Survey

Tank: 900 x 400 x 300



**Included with the tank**

- 1 x 1-1/2" Filler Hosetail
- 1 x 5/8" Breather Hosetail
- 1 x 1/2" Pick-Up Hosetail
- 1 x 1/2" Return Hosetail
- 1 x 1-1/4" Sensor Port

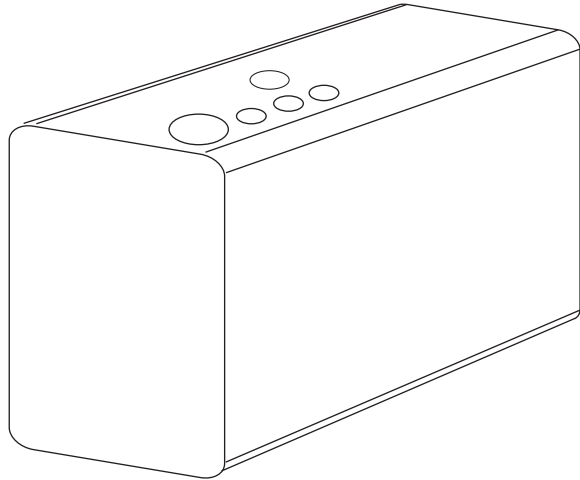
**Optional**

- 3/8" Pick-Up Hosetail
- 3/8" Return Hosetail

*approximately 100 litres*

Diesel Tank Certified For Marine Survey

Tank: 900 x 300 x 400



**Included with the tank**

- 1 x 1-1/2" Filler Hosetail
- 1 x 5/8" Breather Hosetail
- 1 x 1/2" Pick-Up Hosetail
- 1 x 1/2" Return Hosetail
- 1 x 1-1/4" Sensor Port

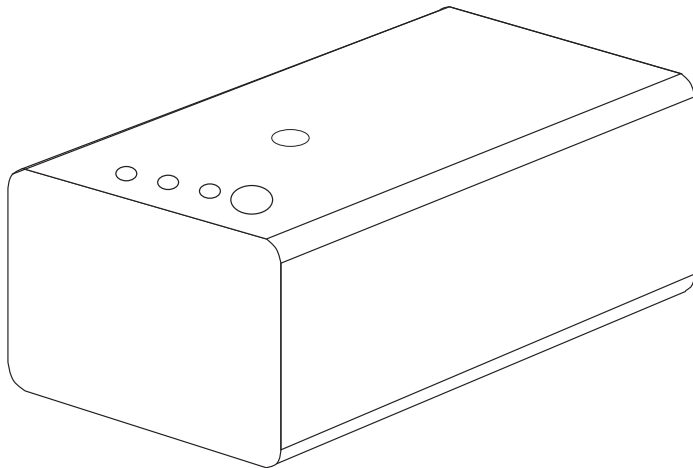
**Optional**

- 3/8" Pick-Up Hosetail
- 3/8" Return Hosetail

*approximately 100 litres*

Diesel Tank Certified For Marine Survey

Tank: 1000 x 500 x 400



**Included with the tank**

- 1 x 1-1/2" Filler Hosetail
- 1 x 5/8" Breather Hosetail
- 1 x 1/2" Pick-Up Hosetail
- 1 x 1/2" Return Hosetail
- 1 x 1-1/4" Sensor Port

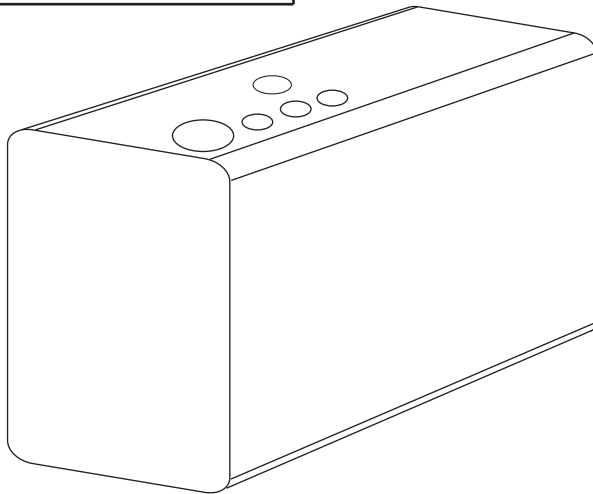
**Optional**

- 3/8" Pick-Up Hosetail
- 3/8" Return Hosetail

*approximately 185 litres*

Diesel Tank Certified For Marine Survey

Tank: 1000 x 400 x 500



**Included with the tank**

- 1 x 1-1/2" Filler Hosetail
- 1 x 5/8" Breather Hosetail
- 1 x 1/2" Pick-Up Hosetail
- 1 x 1/2" Return Hosetail
- 1 x 1-1/4" Sensor Port

**Optional**

- 3/8" Pick-Up Hosetail
- 3/8" Return Hosetail

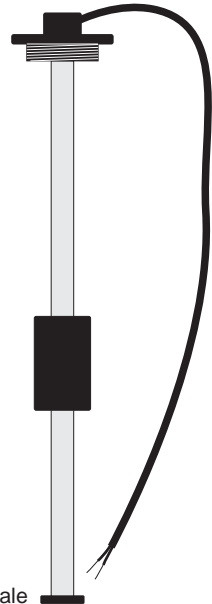
*approximately 185 litres*

# Gauges and Tank Sensors

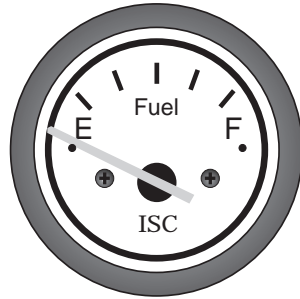
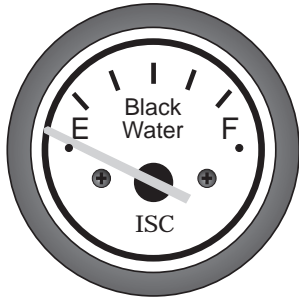
Atlas Tanks offers the option of a quality gauge and tank sensor for use with fresh/grey & blackwater tanks. These units work just like the fuel tank gauge in your car or motorhome. While power is provided you will have a continuous reading between empty and full.

Sensors are fitted through the tank top and reach to the bottom. Sensors for blackwater are a special type with the float unit inside a perforated cover to prevent blockage and malfunction.

Gauges can be mounted anywhere you need in the vehicle. Gauges are available for Fresh, Grey, Blackwater and fuel tanks.



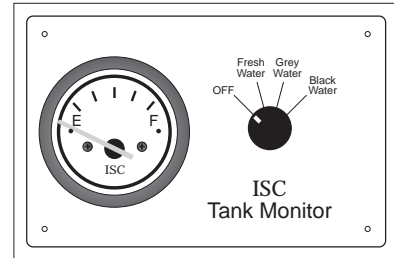
Sensor shown is not to scale



### Tank Gauges and Sensors

- Water Tank Gauge
- Grey Water Gauge
- Black Water Gauge
- Fuel Tank Gauge
- Tank Monitor Selector
- Hold Tank Sensor 1 Segment
- Hold Tank Sensor 2 Segment
- Hold Tank Sensor 3 Segment
- Hold Tank Sensor 4 Segment
- Hold Tank Sensor 5 Segment
- Hold Tank Sensor 6 Segment

- Water Tank Sensor 150mm
- Water Tank Sensor 200mm
- Water Tank Sensor 250mm
- Water Tank Sensor 300mm
- Water Tank Sensor 350mm
- Water Tank Sensor 400mm
- Water Tank Sensor 500mm
- Water Tank Sensor 600mm
- Water Tank Sensor 700mm
- Water Tank Sensor 800mm



Tank Monitor Selector

# Fittings Size Guide for Recreational Vehicles

## Freshwater Plumbing

**Filling**, generally the filler fitting size on your tank will be dictated by the type of filler point you install. Most through body fillers use a 1" fitting. Alternatively you can fill the tank with a cap on the tank itself.

**Breather**, all tanks must have a breather to let air in and out as you fill and drain the tank. Most standard through body fillers have a built in breather connection of 1/2".

**Outlet**, in almost all installations water going to a pump and from the pump to appliances within the vehicle will use a 1/2".

## Greywater Plumbing

**Inlets**, most appliances drain with a 40 mm fitting (old 1 1/2") and this is good practise. Any plumbing less than 40 mm will cause slow draining and ponding in shower units.

**Breather**, a breather of at least 1" is recommended, anything smaller will result in slow discharging of the tank.



## **Fittings Size Guide for Recreational Vehicles** continued

### **Greywater Plumbing**

**Outlet**, often the installation will dictate what size of outlet you will have to use. Generally it is ideal to drain the tank with an 1 1/2" outlet, but 1" is also very common. On larger tanks consider the use of a 3" knife valve system with a coupling lay flat hose. The hose can also be used with a knife valve on a blackwater tank.

### **Blackwater Plumbing**

**Inlet**, to your blackwater tank will be dictated by the type of toilet that you are using, consult your toilet specifications. We strongly recommend the use of macerating toilets (marine type).

**Breather**, in order to keep odour from your holding tank under control your breather or vent should be as large as possible. Ideally use a 1 1/2" breather.

**Outlet**, it is most common to use an 1 1/2" outlet for blackwater. Another method is to use a knife valve system. A knife valve is mounted to the side or underside of the tank. The knife valve has a bayonet fitting which allows for the attachment of a hose connection which is run to the drain/sewer. Once the hose is in position, open the knife valve and drain away.

# Fittings Size Guide for Boats

## Freshwater Plumbing

**Filling**, most commonly boats are filled via a 1 1/2" deck filler, some commercial and/or larger boats with very large capacity tanks use 2".

**Breather**, through hull or through wall breather types are most common and are usually 1/2".

**Outlet**, in almost all installations water going to a pump and from the pump to appliances will be 1/2" plumbing, large vessels sometimes plumb with 3/4". Check your pump specifications.

## Greywater Plumbing

**Inlets**, generally boats don't have a separate "greywater tank" where you are plumbing appliances which generate greywater we recommend 1 1/2" but you should also check the outlet sizes on any appliances.

**Breather**, a breather of at least 1" is recommended, anything smaller will result in slow discharging of the tank.

## **Fittings Size Guide for Boats** continued

### **Greywater Plumbing**

**Outlet**, as most boats generally use the blackwater or holding tank, see blackwater plumbing. If you are having a greywater tank use at least a 1 1/2" outlet.

### **Blackwater Plumbing**

**Inlet**, to your blackwater tank will be dictated by the type of toilet that you are using, consult your toilet specifications. We strongly recommend the use of macerating toilets (marine type). Most macerating toilets and pumps have an outlet size of 1". Most hand pump toilets have an outlet size of 1 1/2".

**Breather**, in order to keep odour from your holding tank under control your breather or vent should be as large as possible. The Australian Standard for holding tanks onboard pleasure boats call for a 1 1/2" breather, while this is ideal it is not always possible. Fit the largest breather your installation allows, if you can only fit 1/2" then consider fitting 2 breathers.

**Outlet**, going to a deck fitting for pump out at a marina will be universally 1 1/2". Outlet going to a macerating pump then through the hull overboard will be 1 1/2" to the pump. Hand pump to pump overboard will usually be 1 1/2", check pump specifications.

# Frequently Used Terms

Freshwater	=	Drinking water
Greywater	=	Water from sinks, showers
Blackwater	=	Waste from toilet
Holding Tank	=	Blackwater tank
Potable water	=	Drinking water
Macerator/ing	=	Change from solid to sludge
Pick-up	=	Outlet on top of tank
Straw	=	Outlet on top of tank
Breather	=	Fitting to allow air in and out
Vent	=	Fitting to allow air in and out
Hosetail	=	Fitting used between tank and hose
Knife Valve	=	Outlet fitting on blackwater tank
Gate Valve	=	Outlet fitting on blackwater tank
Slide Valve	=	Outlet fitting on blackwater tank
Weight	=	1 litre equals 1 kilogram
Threaded Port	=	A hole in tank with female thread
BSPT	=	British Standard Plumbing Tapered
Gauge	=	Method of indicating tank contents amount
Sensor	=	Device used to measure tank contents
Sight Gauge	=	Clear tube to show contents amount
Inspection Port	=	Used to gain access to the inside of tank



Back Cover